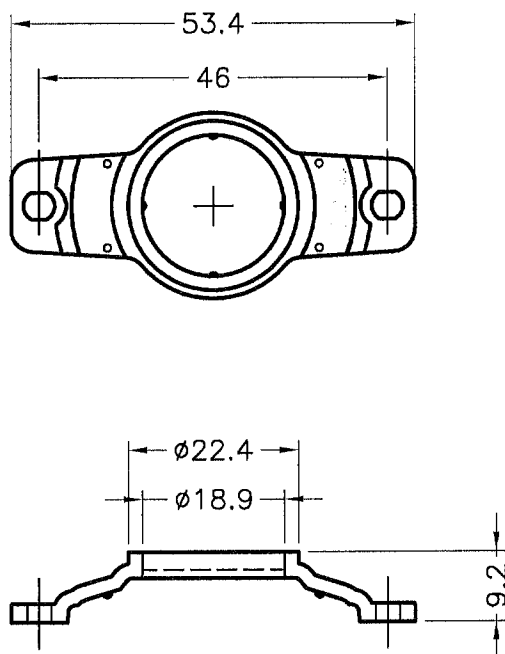

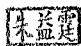
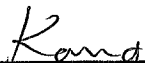


DIM.	TOL
5mm DOWN	±0.2
5~20mm	±0.3
20~40mm	±0.4
40~60mm	±0.5
60~100mm	±0.8
100mm UP	±1.0

REVISIONS			
REV	DESCRIPTION	DATE	BY



NOTE:1. Shrinking is normal status.
 2. All measurement does not include gate which raises under 0.3mm.

 康揚企業股份有限公司 KANG YANG HARDWARE ENTERPRISE CO., LTD. 康揚塑膠(東莞)有限公司 KANG YANG PLASTIC(DONG GUAN) CO., LTD. ISO 9001 ISO 14001 QC 080000 康哲電腦配件(吳江)有限公司 KANG CHE COMPUTER COMPONENTS(WUJIANG) CO., LTD.		TITLE	SPEAKER HOLDER	TITLE	SPEC. DWG.
		MATERIAL	NYLON 66 UL94V-2	DATE	2000.06.08
PART NUMBER		FINISH		DRAWN	AMY
DRAWING NUMBER		COLOR	NATURAL	CHECK	
SIZE	SCALE	UNLESS OTHERWISE SPECIFIED TOLERANCE		APPROVED	
A4	NONE	UNIT	mm	REV	A
		SEE ABOVE			