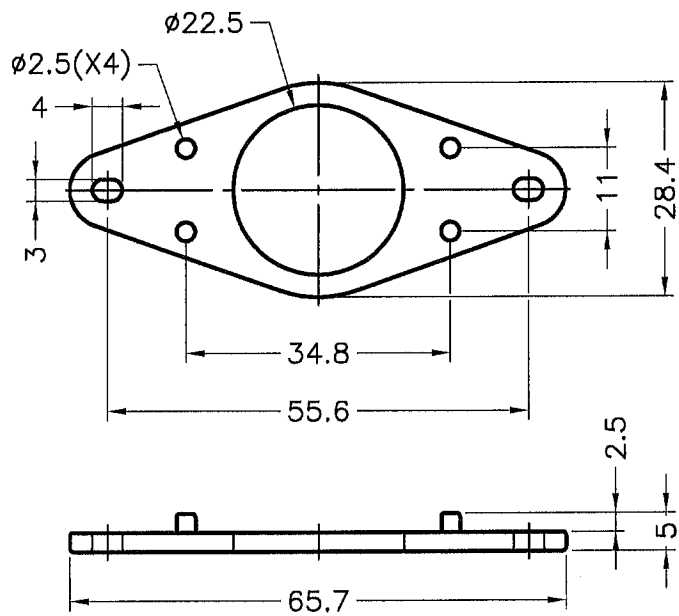





REVISIONS			
REV	DESCRIPTION	DATE	BY



 <p> 康揚企業股份有限公司 KANG YANG HARDWARE ENTERPRISE CO., LTD. 康揚塑膠(東莞)有限公司 KANG YANG PLASTIC(DONG GUAN) CO., LTD. 康哲電腦配件(吳江)有限公司 KANG CHE COMPUTER COMPONENTS(WUJIANG) CO., LTD. </p>	TITLE		SPEAKER HOLDER		SPEC. DWG.		
	MATERIAL		NYLON 66 UL94V-2		DATE		2000.05.04
	FINISH				DRAWN		JASON
	COLOR		NATURAL		CHECK		
PART NUMBER		DRAWING NUMBER		UNLESS OTHERWISE SPECIFIED TOLERANCE		APPROVED	
SPK-1		SPK-1H		±0.2			
SIZE	SCALE	UNIT	REV				
A4	1:1	mm	A				