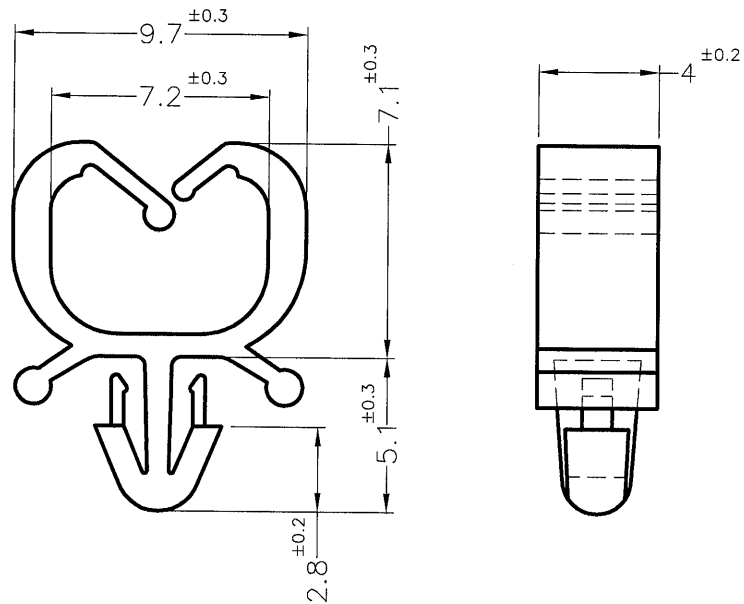


REVISIONS			
REV	DESCRIPTION	DATE	BY



MOUNTING HOLE:  $\phi 3$ mm  
THICKNESS: 0.6~1.6mm

PART NO.	MATERIAL	COLOR
MWC-6	NYLON 66 UL94V-2	NATURAL
MWC-6(W)		WHITE
MWC-6(B)		BLACK
MWC-6V0	NYLON 66 UL94V-0	NATURAL(WHITE)

- NOTE: 1. THE PRODUCT SHRINKING IS NORMAL STATUS.  
產品內縮為正常現象。  
2. MADE OF EQUIVALENT MATERIAL.  
可使用同等材質。

				TITLE	WIRE MOUNT	SPEC. DWG.	
				MATERIAL	SEE ABOVE	DATE	2003.10.22
				FINISH		DRAWN	S.J.C
				COLOR	SEE ABOVE	CHECK	
PART NUMBER	SEE ABOVE	DRAWING NUMBER	MWC-6	UNLESS OTHERWISE SPECIFIED TOLERANCE	SEE ABOVE	APPROVED	
SIZE	A4	SCALE	4:1	UNIT	mm	REV	F