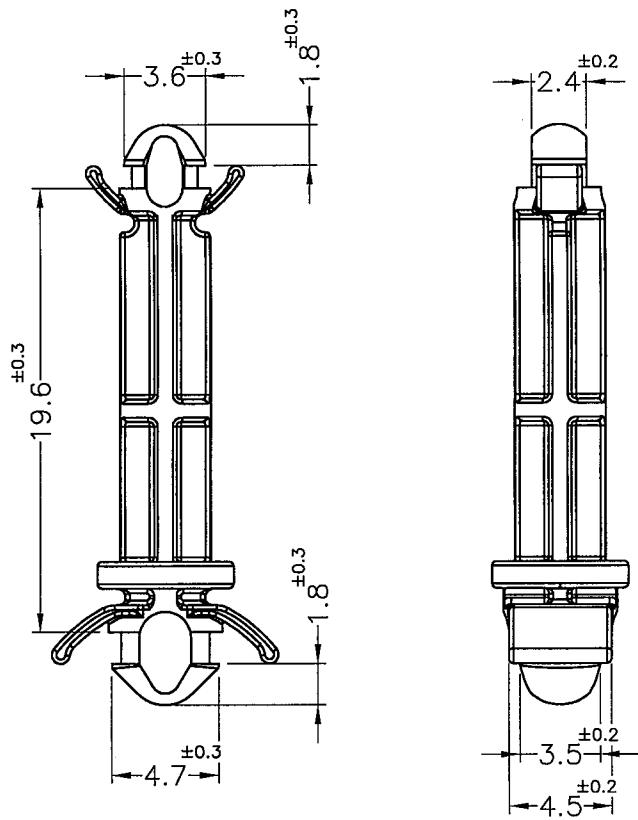


MOUNTING HOLE: $\phi 3.0\text{mm}^{+0.05}_{-0}$
 THICKNESS: $0.8\text{mm}^{+0}_{-0.05}$
 (RECOMMEND FOR REFERENCE ONLY)



MOUNTING HOLE: $\phi 4.0\text{mm}^{+0.05}_{-0}$
 THICKNESS: $1.2\text{mm}^{+0}_{-0.05}$
 (RECOMMEND FOR REFERENCE ONLY)

NOTE: 1. SHRINKING IS NORMAL STATUS.
 內縮為正常現象。
 2. MADE OF EQUIVALENT MATERIAL.
 均可使用同等材質。



康揚企業股份有限公司
 KANG YANG HARDWARE ENTERPRISE CO., LTD.
 康揚塑膠(東莞)有限公司
 KANG YANG PLASTIC(DONG GUAN)CO.,LTD.
 康哲電腦配件(吳江)有限公司
 KANG CHE COMPUTER COMPONENTS(WUJIANG)CO.,LTD.

PROPRIETARY AND CONFIDENTIAL THE INFORMATION CONTAINED IN THIS DRAWING IS THE SOLE PROPERTY OF KANG YANG HARDWARE ENTERPRISE CO. ANY REPRODUCTION IN PART OR AS A WHOLE WITHOUT THE WRITTEN PERMISSION OF KANG YANG HARDWARE ENTERPRISE CO. IS PROHIBITED.	DATE	TITLE		DWG. NO.	PART NO.	
	2023.10.26	STANDOFF		MADP-20S	MADP-20S	
	DRAWN	MATERIAL		SIZE	SPEC. DWG	REV
	Howl	NYLON 66 UL94V-2				
CHECKED	COLOR	FINISH	A4	SCALE: 3:1	UNIT mm	B
Yuping	NATURAL					
APPROVED	UNLESS OTHERWISE SPECIFIED TOLERANCE:		SEE ABOVE	SHEET 1 OF 1		
DO NOT SCALE DRAWING	Kang					