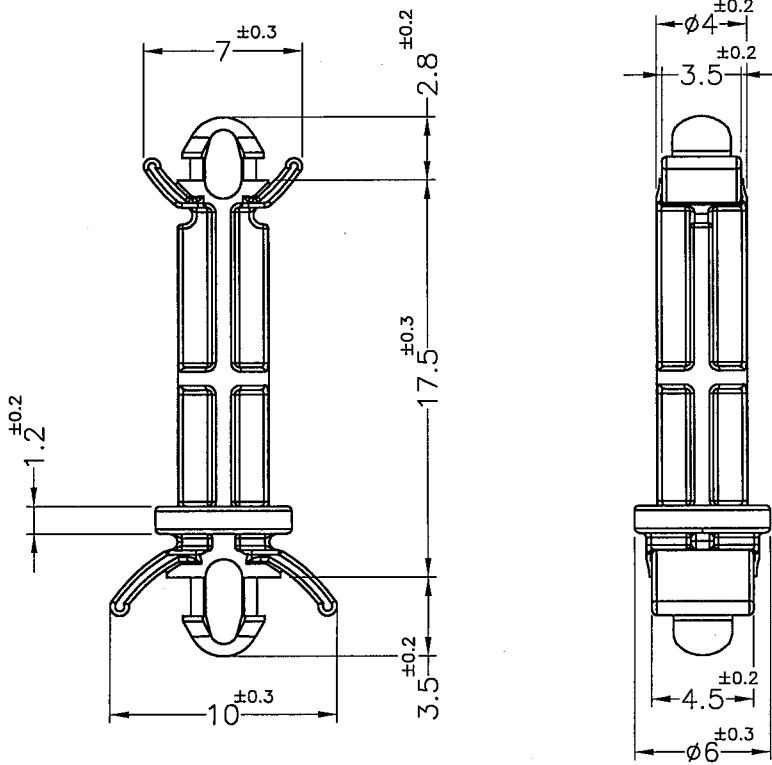


MOUNTING HOLE:  $\phi 3.0\text{mm}$   
 THICKNESS: 0.8mm  
 (RECOMMEND FOR REFERENCE ONLY)



MOUNTING HOLE:  $\phi 3.0\text{mm}$   
 THICKNESS: 1.5mm  
 (RECOMMEND FOR REFERENCE ONLY)

NOTE: 1. SHRINKING IS NORMAL STATUS.  
 內縮為正常現象。  
 2. MADE OF EQUIVALENT MATERIAL.  
 均可使用同等材質。



康揚企業股份有限公司  
 KANG YANG HARDWARE ENTERPRISE CO., LTD.  
 康揚塑膠(東莞)有限公司  
 KANG YANG PLASTIC(DONG GUAN)CO.,LTD.  
 康哲電腦配件(吳江)有限公司  
 KANG CHE COMPUTER COMPONENTS(WUJIANG)CO.,LTD.

PROPRIETARY AND CONFIDENTIAL THE INFORMATION CONTAINED IN THIS DRAWING IS THE SOLE PROPERTY OF KANG YANG HARDWARE ENTERPRISE CO. ANY REPRODUCTION IN PART OR AS A WHOLE WITHOUT THE WRITTEN PERMISSION OF KANG YANG HARDWARE ENTERPRISE CO. IS PROHIBITED.  DO NOT SCALE DRAWING	DATE	TITLE	DWG. NO.	PART NO.	
	2023.10.13	STANDOFF	MADP-17.5V0	MADP-17.5V0	
	DRAWN Howl	MATERIAL NYLON 66 UL94V-0	SIZE A4	SPEC. DWG	REV B
	CHECKED Yuping	COLOR NATURAL(WHITE)	FINISH	SCALE: 3:1 UNIT mm SHEET 1 OF 1	
APPROVED Kang	UNLESS OTHERWISE SPECIFIED TOLERANCE: SEE ABOVE				