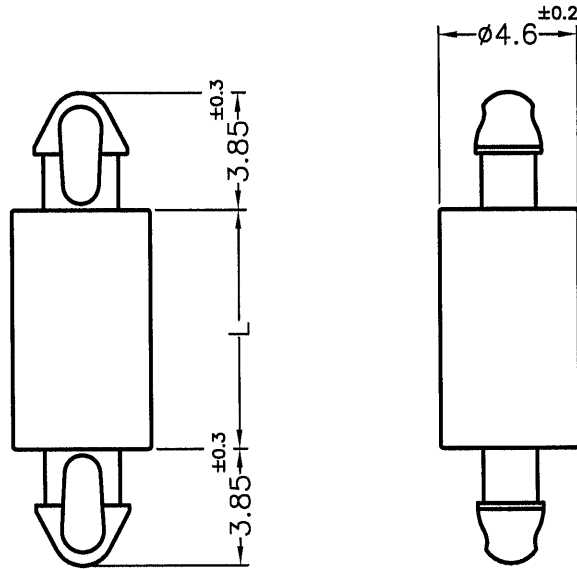


DIM.	TOL.
L ≤ 10	±0.2
10 < L ≤ 30	±0.3
30 < L ≤ 50	±0.5
50 < L ≤ 100	±0.7
100 < L ≤ 250	±1.2
ABOVE 250	±1.5

REVISIONS			
REV	DESCRIPTION	DATE	BY

HOLE IN P.C.B Ø2.5
P.C.B THICKNESS 1.6^{±0.2} mm (Max.)



HOLE IN P.C.B Ø2.5
P.C.B THICKNESS 1.6^{±0.2} mm (Max.)

PART NO.	L
MADA-6L	6.0
MADA-7.9L	7.9
MADA-9.5L	9.5

NOTE:MADE OF EQUIVALENT MATERIAL.
均可使用同等材質.

		TITLE	SPACER SUPPORT	SPEC. DWG.	
		MATERIAL	NYLON 66 UL94V-2	DATE	2017.04.12
		FINISH		DRAWN	Y.C.P
		COLOR	NATURAL	CHECK	薛梅
PART NUMBER	SEE ABOVE	DRAWING NUMBER	MADA-HL	UNLESS OTHERWISE SPECIFIED TOLERANCE	SEE ABOVE
SIZE	A4	SCALE	4:1	UNIT	mm
		REV	A	APPROVED	Kang