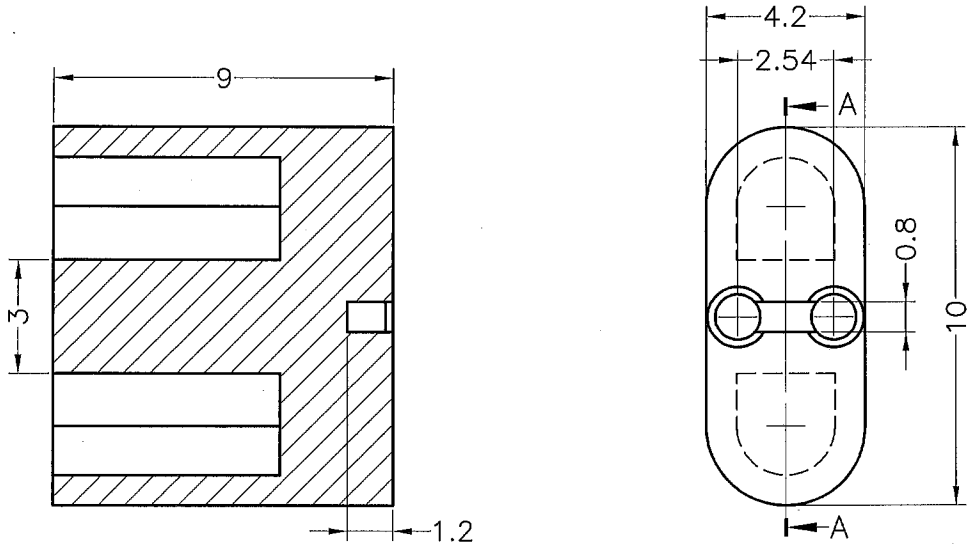


成型尺寸	公差
X	±0.3
X.X	±0.2
X.XX	±0.1

REVISIONS			
REV	DESCRIPTION	DATE	BY



SECTION A-A

QMHZ3 Component - Wednesday, September 15, 2008 B41938  
 E I DUPONT DE NEMOURS & CO INC  
 ENGINEERING POLYMERS CHESTNUT RUN PLAZA PO BOX 80713 WILMINGTON DE 19880  
 Material Designation: 101(-)(H), 101F(-)(F), 101L(-)(F), E101(-)(F), E101L(-)(F), 132F(-)(F), 135F(-)(F)  
 Product Description: Polyamide 66 (PA66), designated "Zytel" furnished as pellets.  

Color	Min. Thick. (mm)	Flame Class	HVI	HA1	RTI Elec	RTI Imp	RTI Str	IBC GW/T	IBC GW/P
ALL	0.71	V-2	4	0	130	75	85	725	960
	1.5	V-2	3	0	130	75	85	750	960
	3	V-2	2	0	130	75	85	800	960
	6	V-2	2	0	130	75	85	800	960

CTI: 0 HVIR: 0 D695: 6 IEC Roll Porosity (1):  
 Dielectric Strength (kV/mm) (1) Volume Resistance (10<sup>12</sup> ohm-cm) (1) Dimensional Stability (1):  
 ISO Tensile Strength (50Pa) - ISO Flexural Strength (50Pa) - ISO Heat Deflection (1):  
 ISO Tensile Impact (kJ/m<sup>2</sup>) - ISO Notched Impact (kJ/m<sup>2</sup>) - ISO Charpy Impact (kJ/m<sup>2</sup>):  
 (-) Virgin and regrind up to 50% by weight inclusive, have the same basic material characteristics.  
 (H) Suitable for outdoor use with respect to exposure to Ultraviolet Light, Water Exposure and Immersion in accordance with UL 746C.  
 NOTE (1) Material designations that are color pigmented may be followed by suffix letters and numbers.  
 (2) Material designations may be prefixed by "ZYT" or "MIN" or "ZEN" or "DEL" or "CRA" or Report Title:  
 7/23/1996 Underwriters Laboratories IncR  
 UL24 small-scale test data does not pertain to building materials, furnishings and related contents. UL 94 small-scale test data is intended solely for determining the flammability of plastic materials used in components and parts of end-product devices and appliances, where the acceptability of the combination is

<p>康揚企業股份有限公司 KANG YANG HARDWARE ENTERPRISE CO., LTD. 康揚塑膠(東莞)有限公司 KANG YANG PLASTIC(DONG GUAN) CO., LTD. 康哲電腦配件(吳江)有限公司 KANG CHE COMPUTER COMPONENTS(WUJIANG) CO., LTD.</p>	TITLE		LED間隔柱	產品規格圖面		
	MATERIAL		NYLON66 UL94V-2	DATE		2008.08.18
	HARDNESS			DRAWN		SAI
	COLOR		NATURAL	CHECK		陳彥璋
PART NUMBER	DRAWING NUMBER		UNLESS OTHERWISE SPECIFIED TOLERANCE			
LEDMU-9	LEDMU-9		SEE ABOVE			
SIZE	SCALE	UNIT	REV	APPROVED		
A4	5:1	mm	A	Kang		