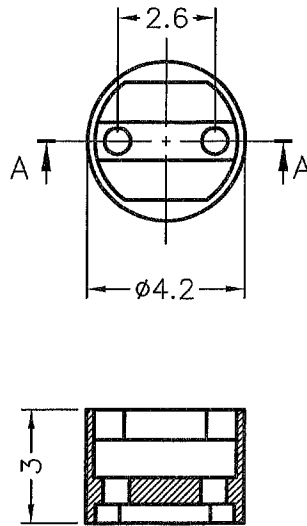


DIM	TOL
5mm DOWN	±0.2
5~20mm	±0.3
20~40mm	±0.4
40~60mm	±0.5
60~100mm	±0.8
100mm UP	±1.0

REVISIONS			
REV	DESCRIPTION	DATE	BY



SECTION A-A

Component - Plastic

E41938

E I DUPONT DE NEMOURS & CO INC  
 ENGINEERING POLYMERS, CHESTNUT RUN PLAZA, PO BOX 80713, WILMINGTON DE 19880  
 101(r9)(f1), 101F(r9)(f1), 101L(r9)(f1), E101(r9)(f1), E101L(r9)(f1)  
 Polyamide 66 (PA66), "Zytel", furnished as pellets

Color	Min Thk (mm)	Flame Class	HVI	HAI	RTI Elec	RTI Imp	RTI Str
ALL	0.71	V-2	4	0	130	75	85
	1.5	V-2	3	0	130	75	85
	3.0	V-2	2	0	130	75	85
	6.0	V-2	2	0	130	75	85

Comparative Tracking Index (CTI): 0  
 Dielectric Strength (KV/mm): 13  
 High-Voltage Arc Tracking Rate (HVTR): 0  
 Dimensional Stability (%): -

Inclined Plane Tracking (IPT): -  
 Volume Resistivity (10<sup>15</sup> ohm-cm): 14  
 High Volt, Low Current Arc Resis (D489): 6

(f1) - Suitable for outdoor use with respect to exposure to Ultraviolet Light, Water Exposure and Immersion in accordance with UL 745C.

NOTE - (1) Material designations that are color pigmented may be followed by suffix letters and numbers. (2) Material designations may be prefixed by "ZYT" for Zytel or "MIN" for Minlon or "DEL" for Delrin or "CRA" for Crestin or "RYN" for Rynke or "ETPV" for ETPV grades.

r9 - Virgin and reground up to 60% by weight inclusive, have the same basic material characteristics for ALL colors down to 0.71mm. For thicknesses 0.40mm to 0.70mm the same basic material characteristics exist with the exception of generic RTI for all properties and Regrind exceeding 26% is limited to V-2 Flammability for V1, R0, B1C.

ANSI/UL 94 small-scale test data does not pertain to building materials, furnishings and related contents. ANSI/UL 94 small-scale test data is intended solely for determining the flammability of plastic materials used in the components and parts of end-product devices and assemblies, where the acceptability of the combination is determined by UL.

Report Date: 1996-07-20  
 Last Revised: 2010-07-27

© 2011 Underwriters Laboratories Inc.



 康揚企業股份有限公司 KANG YANG HARDWARE ENTERPRISE CO., LTD. 康揚塑膠(東莞)有限公司 KANG YANG PLASTIC(DONG GUAN) CO., LTD. 康哲電腦配件(吳江)有限公司 KANG CHE COMPUTER COMPONENTS(WUJIANG) CO., LTD.	TITLE LED SPACER SUPPORT		SPEC. DWG.	
	MATERIAL NYLON 66 UL94V-2		DATE 2006.03.27	
	FINISH		DRAWN KEN	
	COLOR NATURAL		CHECK	
PART NUMBER LEDL-3	DRAWING NUMBER LEDL-3		UNLESS OTHERWISE SPECIFIED TOLERANCE SEE ABOVE	
SIZE A4	SCALE 5:1	UNIT mm	REV A	APPROVED 