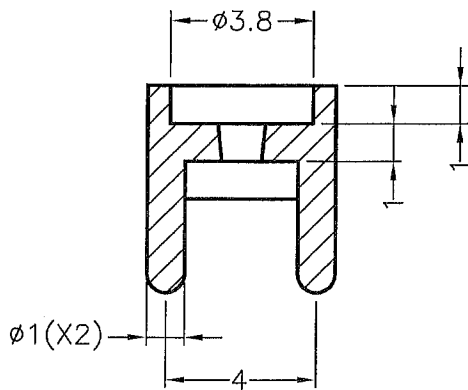
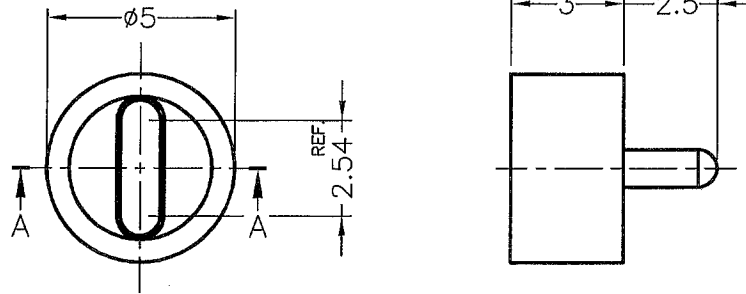
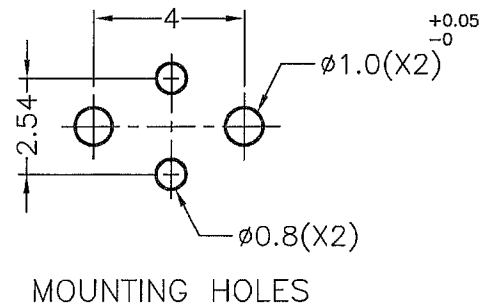
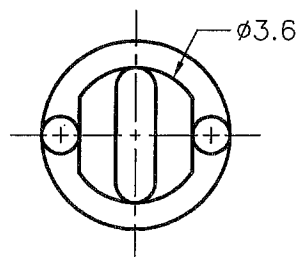


DIM.	TOL.
X	±0.3
X.X	±0.2
X.XX	±0.1

REVISIONS			
REV	DESCRIPTION	DATE	BY



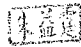
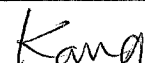
SECTION A-A



MOUNTING HOLES

NOTE: All measurement does not include gate which raises under 0.3mm.


 康揚企業股份有限公司
 KANG YANG HARDWARE ENTERPRISE CO., LTD.
 康揚塑膠(東莞)有限公司
 KANG YANG PLASTIC(DONG GUAN) CO., LTD.
 康哲電腦配件(吳江)有限公司
 KANG CHE COMPUTER COMPONENTS(WUJIANG) CO., LTD.

TITLE	LED SPACER SUPPORT	TITLE	SPEC. DWG
MATERIAL	NYLON 66 UL94V-2	DATE	2007.07.02
FINISH		DRAWN	BUNNY
COLOR	NATURAL	CHECK	
UNLESS OTHERWISE SPECIFIED TOLERANCE	SEE ABOVE	APPROVED	

PART NUMBER	LEDKU-2	DRAWING NUMBER	LEDKU-2
SIZE	A4	UNIT	mm
SCALE	5:1	REV	A