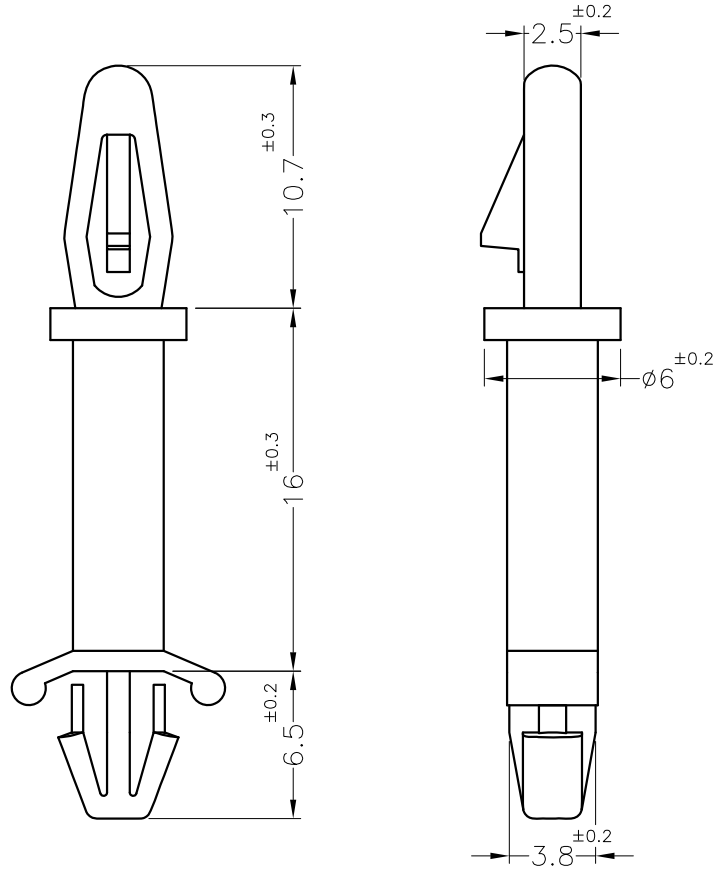


MOUNTING HOLE:  $\phi 4\text{mm}$   
THICKNESS: 2.4mm



MOUNTING HOLE:  $\phi 4\text{mm}$   
THICKNESS: 2.4mm

NOTE: 1. SHRINKING IS NORMAL STATUS.  
內縮為正常現象。  
2. MADE OF EQUIVALENT MATERIAL.  
均可使用同等材質。



康揚企業股份有限公司  
KANG YANG HARDWARE ENTERPRISE CO., LTD.  
康揚塑膠(東莞)有限公司  
KANG YANG PLASTIC(DONG GUAN)CO.,LTD.  
康哲電腦配件(吳江)有限公司  
KANG CHE COMPUTER COMPONENTS(WUJIANG)CO.,LTD.

PROPRIETARY AND CONFIDENTIAL THE INFORMATION CONTAINED IN THIS DRAWING IS THE SOLE PROPERTY OF KANG YANG HARDWARE ENTERPRISE CO. ANY REPRODUCTION IN PART OR AS A WHOLE WITHOUT THE WRITTEN PERMISSION OF KANG YANG HARDWARE ENTERPRISE CO. IS PROHIBITED.  DO NOT SCALE DRAWING	DATE	TITLE		DWG. NO.		PART NO.	
	2023.03.10	SPACER SUPPORT		LCSJ-16		LCSJ-16	
	DRAWN	MATERIAL		SIZE	SPEC. DWG.	REV	A
	<i>L.K.J.</i>	NYLON 66 UL94V-2		A4			
CHECKED	COLOR	FINISH	SCALE: 3:1		UNIT	SHEET 1 OF 1	
	NATURAL		mm				
APPROVED	UNLESS OTHERWISE SPECIFIED TOLERANCE:		SEE ABOVE				