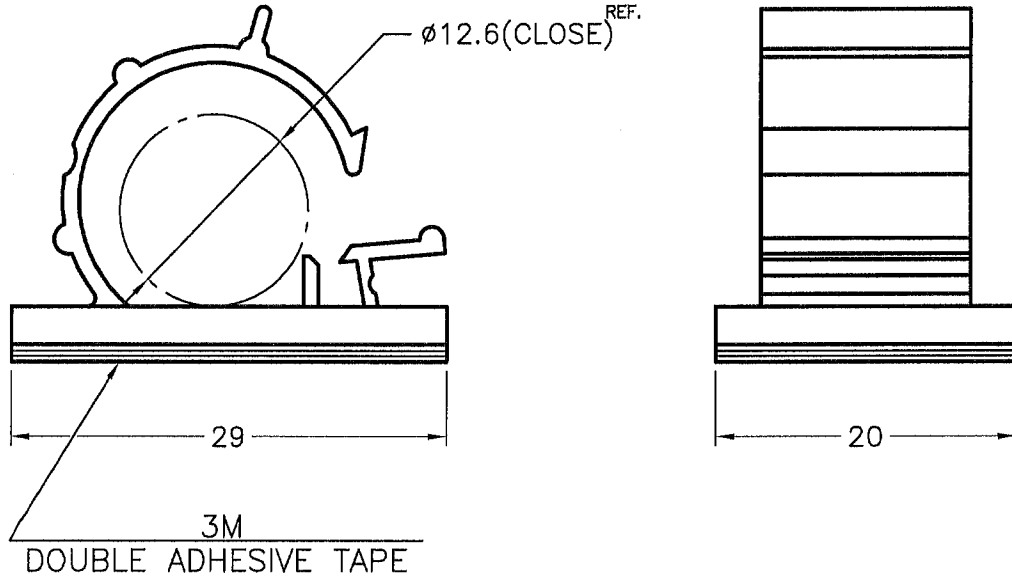


DIM.	TOL
5mm DOWN	±0.2
5~20mm	±0.3
20~40mm	±0.4
40~60mm	±0.5
60~100mm	±0.8
100mm UP	±1.0

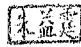

REVISIONS			
REV	DESCRIPTION	DATE	BY



NOTE:1. The height is not included thickness of adhesive tape and separate paper.
2. All measurement does not include gate which raises under 0.3mm.

PART NO.	DOUBLE ADHESIVE TAPE	COLOR
FWS-4	3M THICKNESS=1.1mm	NATURAL
FWS-4(3M)	3M THICKNESS=0.9mm	
FWS-4(B)3M	3M THICKNESS=0.9mm	BLACK


 康揚企業股份有限公司
 KANG YANG HARDWARE ENTERPRISE CO., LTD.
 康揚塑膠(東莞)有限公司
 KANG YANG PLASTIC(DONG GUAN) CO., LTD.
 康哲電腦配件(吳江)有限公司
 KANG CHEE COMPUTER COMPONENTS(WUJIANG) CO., LTD.

TITLE	WIRE MOUNT	SPEC. DWG.
MATERIAL	NYLON 66 UL94V-2	DATE 2001.10.17
HARDNESS		DRAWN AMY
COLOR	SEE ABOVE	CHECK 
UNLESS OTHERWISE SPECIFIED TOLERANCE	SEE ABOVE	APPROVED 

PART NUMBER	SEE ABOVE	DRAWING NUMBER	FWS-4
SIZE	A4	SCALE	2:1
UNIT	mm	REV	B