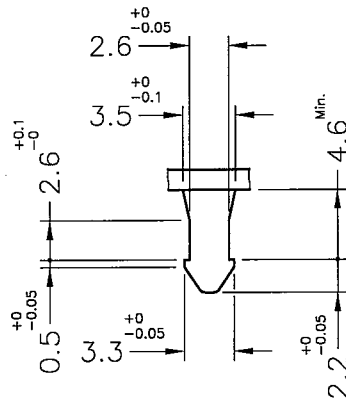


RECOMMEND MOUNTING HOLE



RECOMMEND PIN SIZE

Note: 1. Door lock finished dimensions Location.

- 門扣成品尺寸位置.
- ① Unlock position: 2.6 REF.
打開時的開放位置
- ② Minimum press-in distance to lock: 4.3 REF.
扣合所需的最小距離位置
- ③ Maximum press-in distance to lock: 4.55 REF.
扣合時最大壓入位置
- ④ Lock up position: 3.6 REF.
扣合時的位置
- ⑤ Minimum press-in distance to unlock: 1.05 REF.
打開所需的最小距離位置
- ⑥ Maximum press-in distance to unlock: 1.3 REF.
打開時最大壓入位置

2. Made of equivalent material.

均可使用同等材質。

3. The color batch test report is only for first lot test.

色母環保檢測報告, 僅提供原始測試報告。



康揚企業股份有限公司
KANG YANG HARDWARE ENTERPRISE CO., LTD.
康揚塑膠(東莞)有限公司
KANG YANG PLASTIC(DONG GUAN)CO.,LTD.
康哲電腦配件(吳江)有限公司
KANG CHE COMPUTER COMPONENTS(WUJIANG)CO.,LTD.

PROPRIETARY AND CONFIDENTIAL THE INFORMATION CONTAINED IN THIS DRAWING IS THE SOLE PROPERTY OF KANG YANG HARDWARE ENTERPRISE CO. ANY REPRODUCTION IN PART OR AS A WHOLE WITHOUT THE WRITTEN PERMISSION OF KANG YANG HARDWARE ENTERPRISE CO. IS PROHIBITED. DO NOT SCALE DRAWING	DATE	2023.09.19	TITLE	DOOR LOCK		DWG. NO.	PART NO.	
	DRAWN	K.W	CATCHER MATERIAL / COLOR	NYLON66 UL94V-2 / BLACK		DT-25	DT-25	
	CHECKED	Kenny	CASE MATERIAL / COLOR	POM UL94HB / BLACK		SIZE	SPEC. DWG	REV
	APPROVED	Kang	UNLESS OTHERWISE SPECIFIED TOLERANCE:	SEE ABOVE		A4		A
			SCALE:	2:1	UNIT	mm	SHEET 1 OF 1	