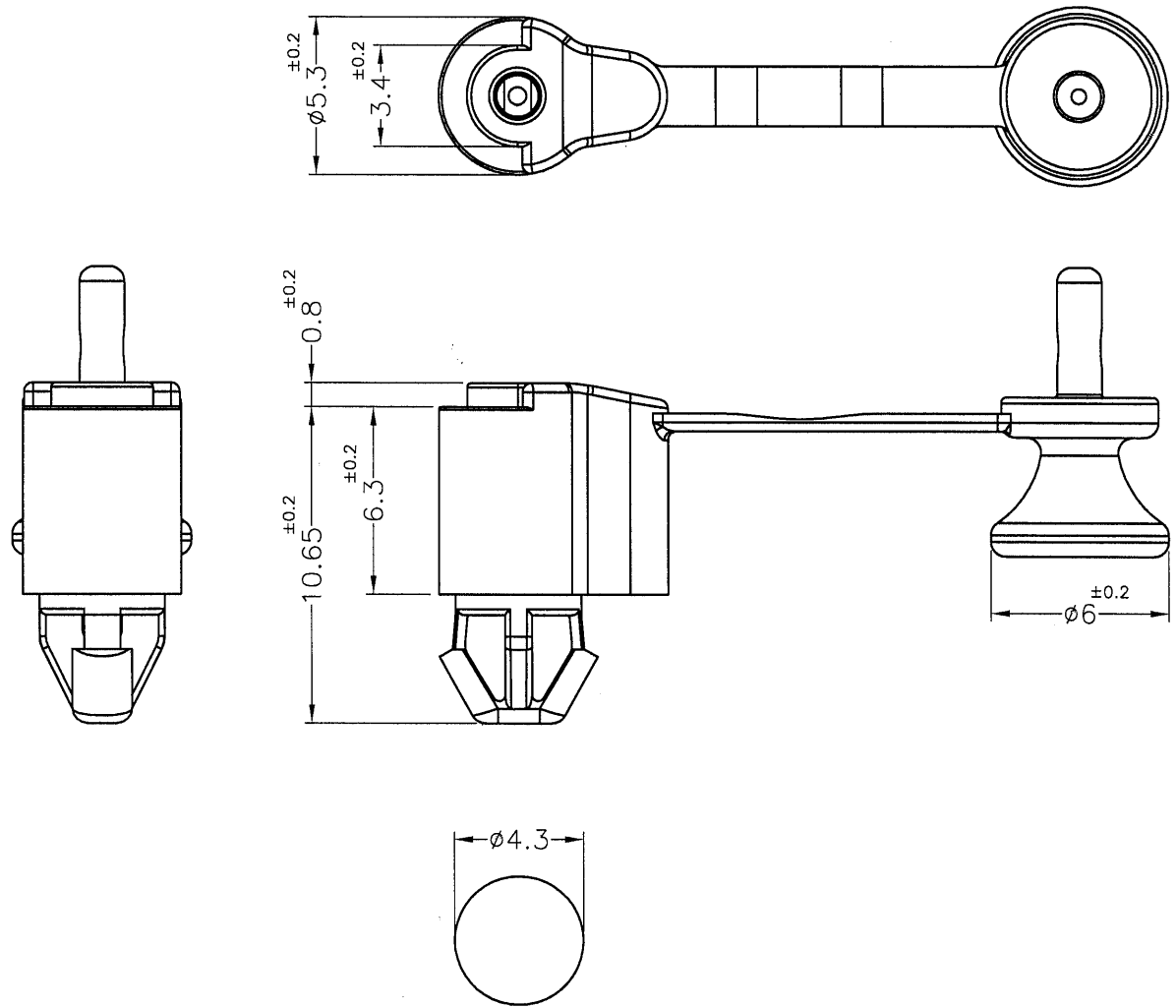



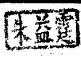

REVISIONS			
REV	DESCRIPTION	DATE	BY



MOUNTING HOLE
THICKNESS: 1.6mm

PART NO.	COLOR
ULCOG6.3-1.6	NATURAL
ULCOG6.3-1.6(GR1)	GREEN(PANTONE 369C)

NOTE:MADE OF EQUIVALENT MATERIAL.
均可使用同等材質.

 <p>康揚企業股份有限公司 KANG YANG HARDWARE ENTERPRISE CO., LTD. 康揚塑膠(東莞)有限公司 KANG YANG PLASTIC(DONG GUAN)CO.,LTD. ISO 9001 ISO 14001 QC 060000 康哲電腦配件(吳江)有限公司 KANG CHE COMPUTER COMPONENTS(WUJIANG) CO.,LTD.</p>		TITLE	SPACER SUPPORT	SPEC. DWG.			
		MATERIAL	NYLON 66 UL94V-2	DATE	2017.05.11		
		FINISH		DRAWN	C.S.L		
		COLOR	SEE ABOVE	CHECK			
PART NUMBER	SEE ABOVE	DRAWING NUMBER	ULCOG6.3-1.6	UNLESS OTHERWISE SPECIFIED TOLERANCE	SEE ABOVE	APPROVED	
SIZE	A4	SCALE	4:1	UNIT	mm	REV	A