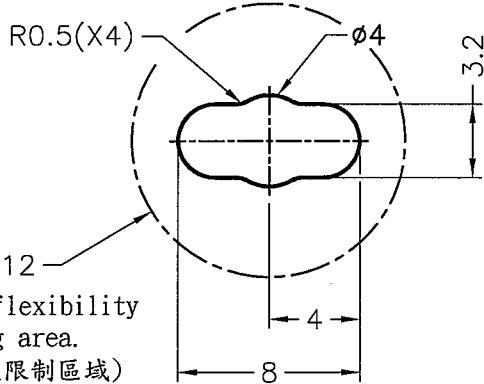
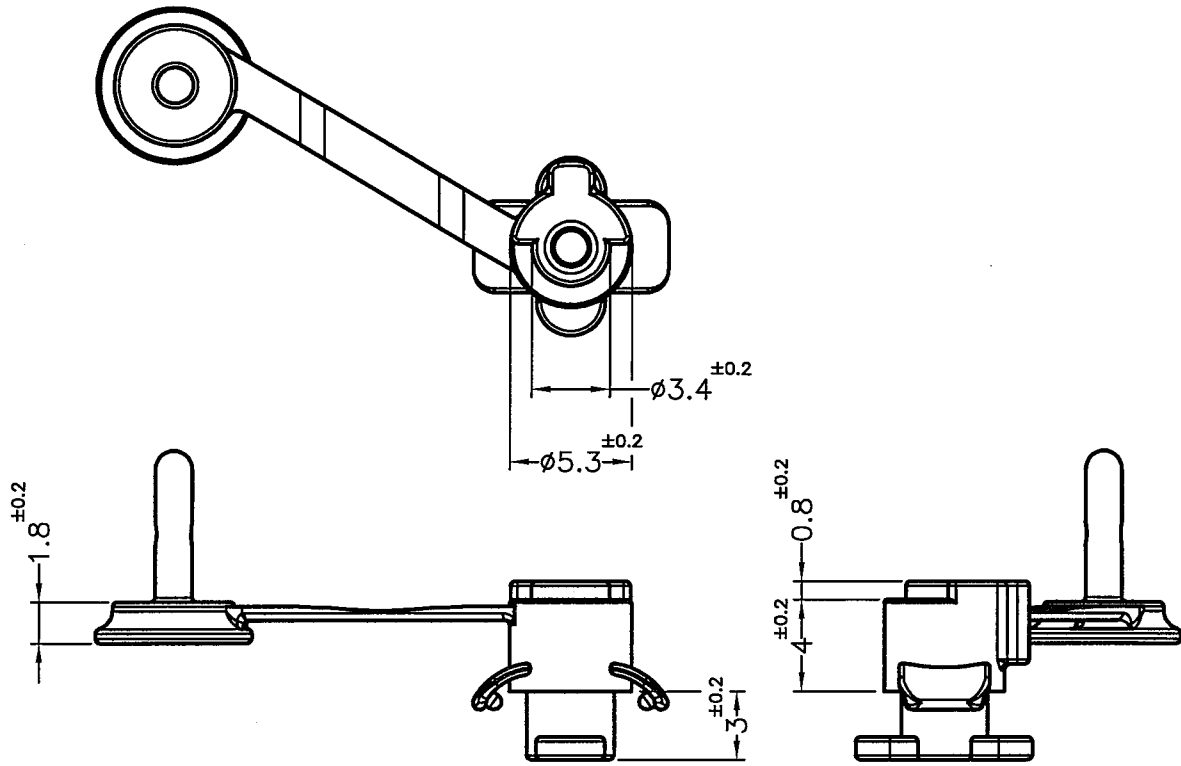


Patented Product

專利產品



Limited flexibility
extending area.
(彈性擴張限制區域)

RECOMMEND MOUNTING
RECOMMEND THICKNESS 1.6~1.8mm

- NOTE: 1. SHRINKING IS NORMAL STATUS.
內縮為正常現象。
2. MADE OF EQUIVALENT MATERIAL.
均可使用同等材質。
3. THE COLOR BATCH TEST REPORT
IS ONLY FOR FIRST LOT TEST.
色母環保檢測報告, 僅提供原始測試報告。



康揚企業股份有限公司
KANG YANG HARDWARE ENTERPRISE CO., LTD.
康揚塑膠(東莞)有限公司
KANG YANG PLASTIC(DONG GUAN)CO.,LTD.
康哲電腦配件(吳江)有限公司
KANG CHE COMPUTER COMPONENTS(WUJIANG)CO.,LTD.

PROPRIETARY AND CONFIDENTIAL THE INFORMATION CONTAINED IN THIS DRAWING IS THE SOLE PROPERTY OF KANG YANG HARDWARE ENTERPRISE CO. ANY REPRODUCTION IN PART OR AS A WHOLE WITHOUT THE WRITTEN PERMISSION OF KANG YANG HARDWARE ENTERPRISE CO. IS PROHIBITED. DO NOT SCALE DRAWING	DATE	2018.01.15	TITLE	SPACER SUPPORT	DWG. NO.	PART NO.	
	DRAWN	Y.C.P	MATERIAL	NYLON 66 UL94V-2	ULCNA4-1.8		ULCNA4-1.8(B)
	CHECKED	林祺翔	COLOR	BLACK	FINISH	SIZE	REV
	APPROVED	UNLESS OTHERWISE SPECIFIED TOLERANCE: SEE ABOVE		A4	SPEC. DWG	A	
			SCALE: 3:1	UNIT	mm	SHEET 1 OF 1	