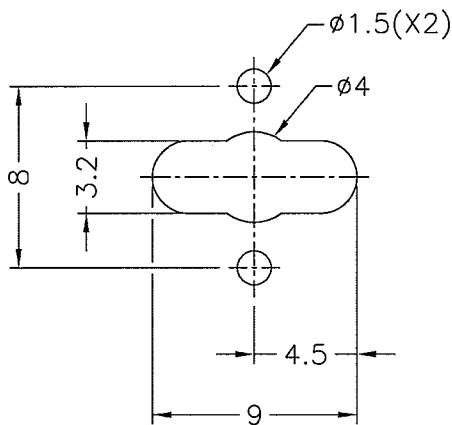
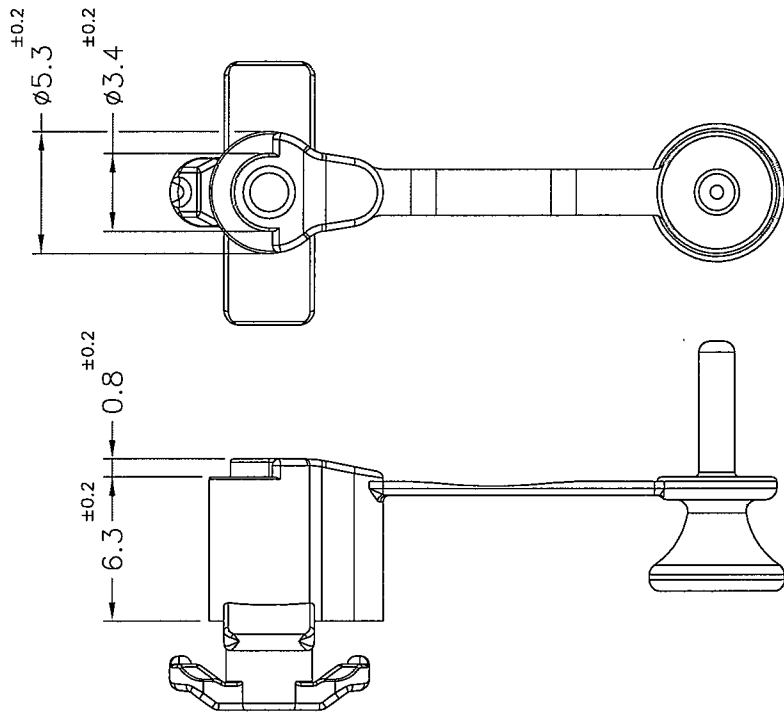


Patented Product
專利產品



MOUNTING HOLE
THICKNESS: 1.6mm

PART NO.	COLOR
ULCN6.3-1.6(B)	BLACK
ULCN6.3-1.6(BU)	BLUE (PANTONE 659C)
ULCN6.3-1.6(GR1)	GREEN (PANTONE 369C)

NOTE: 1. SHRINKING IS NORMAL STATUS.
內縮為正常現象。

2. MADE OF EQUIVALENT MATERIAL.
均可使用同等材質。

3. THE COLOR BATCH TEST REPORT IS ONLY FOR FIRST LOT TEST.
色母環保檢測報告, 僅提供原始測試報告。



康揚企業股份有限公司
KANG YANG HARDWARE ENTERPRISE CO., LTD.
康揚塑膠(東莞)有限公司
KANG YANG PLASTIC(DONG GUAN)CO., LTD.
康哲電腦配件(吳江)有限公司
KANG CHE COMPUTER COMPONENTS(WUJIANG)CO., LTD.

PROPRIETARY AND CONFIDENTIAL THE INFORMATION CONTAINED IN THIS DRAWING IS THE SOLE PROPERTY OF KANG YANG HARDWARE ENTERPRISE CO. ANY REPRODUCTION IN PART OR AS A WHOLE WITHOUT THE WRITTEN PERMISSION OF KANG YANG HARDWARE ENTERPRISE CO. IS PROHIBITED. DO NOT SCALE DRAWING	DATE	2016.01.05	TITLE	SPACER SUPPORT		DWG. NO.	PART NO.		
	DRAWN	C.S.L	MATERIAL	NYLON 66 UL94V-2		ULCN6.3-1.6		SEE ABOVE	
	CHECKED		COLOR	SEE ABOVE	FINISH	SIZE	SPEC. DWG.	REV	
	APPROVED		UNLESS OTHERWISE SPECIFIED TOLERANCE:	SEE ABOVE		A4		B	
						SCALE: 3:1	UNIT	mm	SHEET 1 OF 1