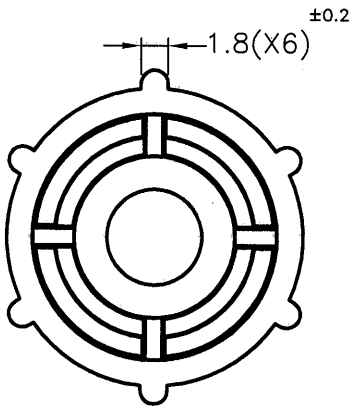
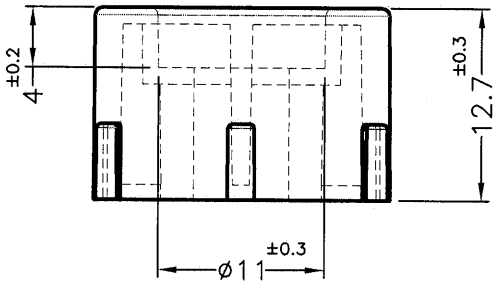
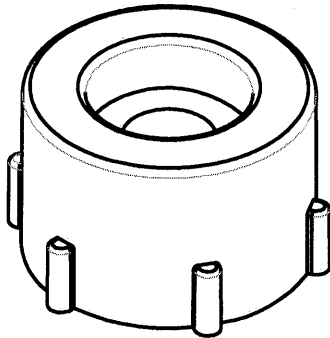
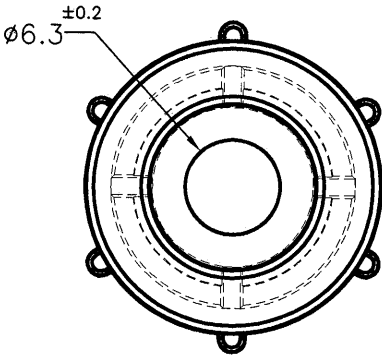



REVISIONS			
REV	DESCRIPTION	DATE	BY



NOTE: 1. MADE OF EQUIVALENT MATERIAL.
 使用同等材質
 2. WITH HALOGEN
 有鹵料.

 <p>康揚企業股份有限公司 KANG YANG HARDWARE ENTERPRISE CO., LTD. 康揚塑膠(東莞)有限公司 KANG YANG PLASTIC(DONG GUAN) CO., LTD. 康哲電腦配件(吳江)有限公司 KANG CHE COMPUTER COMPONENTS(WUJIANG) CO., LTD.</p>	TITLE		SPEC. DWG.	
	ROUND SPACER		MATERIAL	DATE
	PC UL94V-0		FINISH	2014.04.08
	NATURAL		COLOR	DRAWN T.C
PART NUMBER	DRAWING NUMBER	CHECK	APPROVED	
RLA-12.7PCV0	RLA-12.7	彭水承	Kang	
SIZE	SCALE	UNIT	REV	TOLERANCE
A4	2:1	mm	A	SEE ABOVE