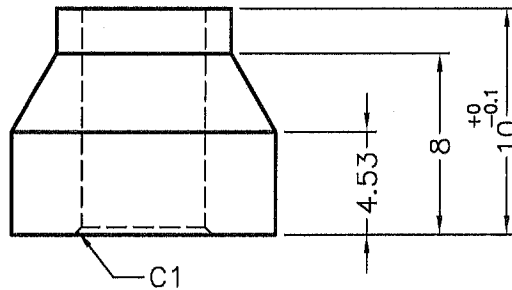
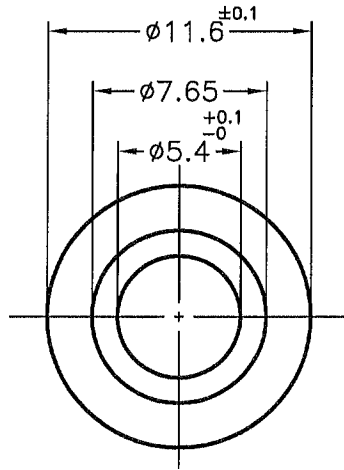



DIM.	TOL.
5mm DOWN	±0.2
5~20mm	±0.3
20~40mm	±0.4
40~60mm	±0.5
60~100mm	±0.8
100mm UP	±1.0

REVISIONS			
REV	DESCRIPTION	DATE	BY



HF


 康揚企業股份有限公司
 KANG YANG HARDWARE ENTERPRISE CO., LTD.
 康揚塑膠(東莞)有限公司
 KANG YANG PLASTIC(DONG GUAN) CO., LTD.
 康哲電腦配件(吳江)有限公司
 KANG CHEE COMPUTER COMPONENTS(WUJIANG) CO., LTD.

TITLE	ROUND SPACER	SPEC. DWG.
MATERIAL	NYLON 66 UL94V-2	DATE 2006.06.19
FINISH		DRAWN BUNNY
COLOR	BLACK	CHECK 
PART NUMBER	RCSL5-10B	APPROVED Kang
DRAWING NUMBER	RCSL5-10B	
SIZE	A4	
SCALE	3:1	
UNIT	mm	
REV	B	
UNLESS OTHERWISE SPECIFIED TOLERANCE SEE ABOVE		