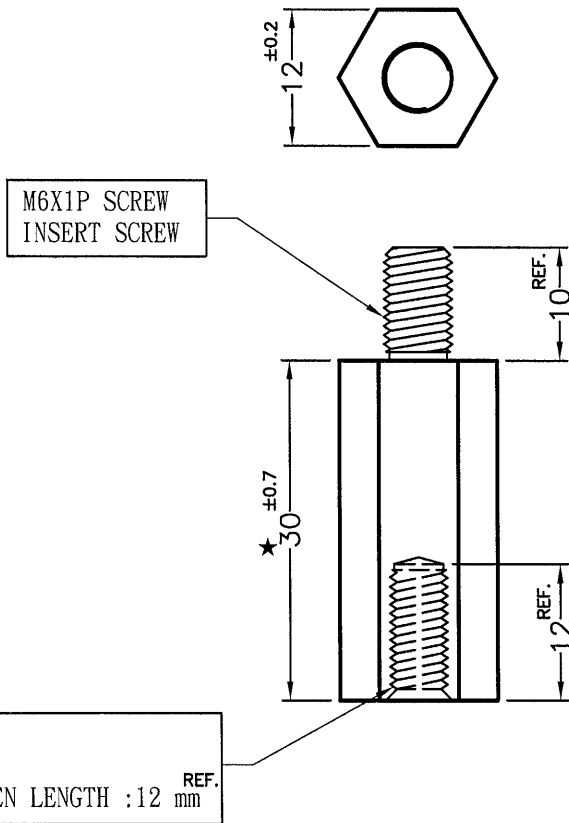




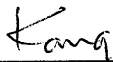
REVISIONS			
REV	DESCRIPTION	DATE	BY



M5X0.8P NUT  
INSERT NUT  
EFFECTIVE FASTEN LENGTH : 12 mm REF.

符合歐盟ROHS規範 (RoHS Compliant)	
★鉛Pb	<1000PPM
★鎘Cd	< 100PPM
★汞Hg	<1000PPM
★六價鉻Cr6+	<1000PPM
★多溴聯苯類PBBs	<1000PPM
★多溴聯苯醚類PBDEs	<1000PPM

NOTE:MADE OF EQUIVALENT MATERIAL.  
可使用同等材質.

 康揚企業股份有限公司 KANG YANG HARDWARE ENTERPRISE CO., LTD. 康揚塑膠(東莞)有限公司 KANG YANG PLASTIC(DONG GUAN )CO.,LTD. ISO 9001 ISO 14001 QC 080000 康哲電腦配件(吳江)有限公司 KANG CHE COMPUTER COMPONENTS(WUJIANG) CO.,LTD.				TITLE	THREADED SPACER		SPEC. DWG.	
				PLASTIC'S MATERIAL	NYLON 66 UL94V-0		DATE	2018.05.03
PART NUMBER				DRAWING NUMBER				
MTPA6-5-30V0				MTPA6-5-H				
COLOR	NATRUAL(WHITE)			CHECK				
UNLESS OTHERWISE SPECIFIED TOLERANCE	SEE ABOVE			APPROVED				
SIZE	SCALE	UNIT	REV					
A4	3:2	mm	A					