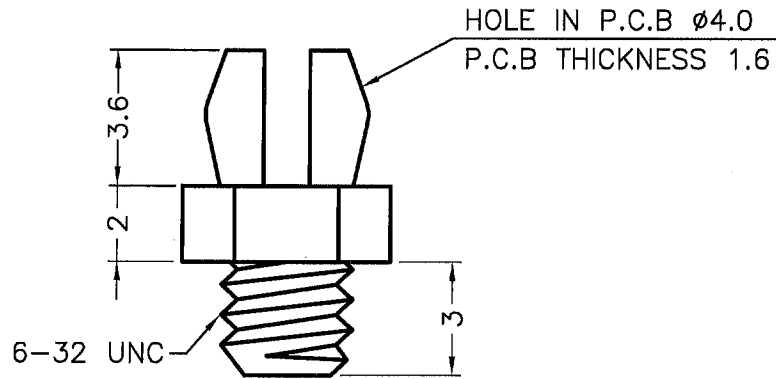
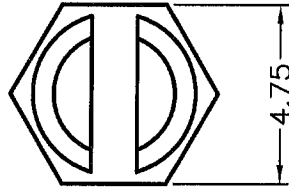

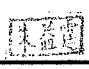


REVISIONS			
REV	DESCRIPTION	DATE	BY



NOTE: All measurement does not include gate which raises under 0.3mm.

 <p>康揚企業股份有限公司 KANG YANG HARDWARE ENTERPRISE CO., LTD. 康揚塑膠(東莞)有限公司 KANG YANG PLASTIC(DONG GUAN) CO., LTD. 康哲電腦配件(吳江)有限公司 KANG CHE COMPUTER COMPONENTS(WUJIANG) CO., LTD.</p>		TITLE	SPACER SUPPORT	SPEC. DWG.	
		MATERIAL	NYLON 66 UL94V-2	DATE	2013.12.18
		FINISH		DRAWN	Emily
		COLOR	BLACK	CHECK	
PART NUMBER	MSPS-2S(B)	DRAWING NUMBER	MSPS-2S	UNLESS OTHERWISE SPECIFIED TOLERANCE	$\pm 0.2$
SIZE	A4	SCALE	5:1	UNIT	mm
REV	A	APPROVED	Kang		