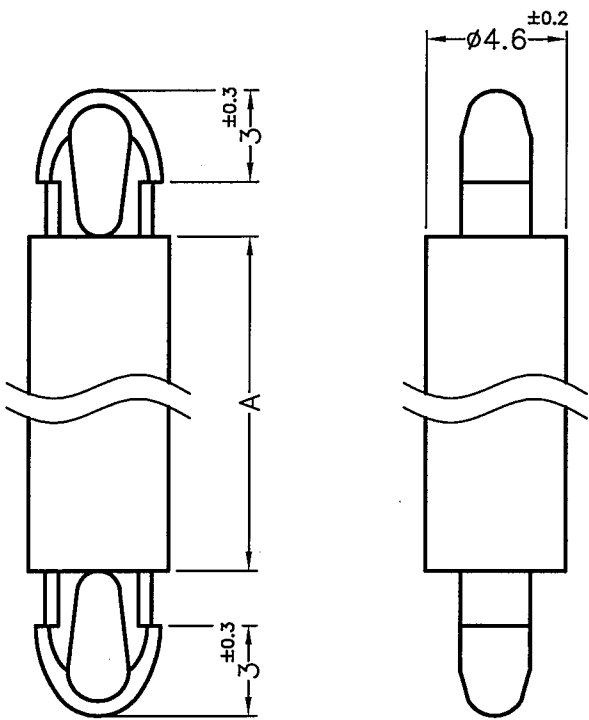


DIM.	TOL
5mm DOWN	±0.2
5~20mm	±0.3
20~40mm	±0.4
40~60mm	±0.5
60~100mm	±0.8
100mm UP	±1.0

MOUNTING HOLE  $\phi 3.5$   
THICKNESS 1.6mm



PART NO.	A
MAF-2	2.0
MAF-3	3.0
MAF-4	4.0
MAF-5	5.0
MAF-6	6.0
MAF-7	7.0
MAF-8	8.0
MAF-10	10.0
MAF-11	11.0
MAF-12	12.0
MAF-14	14.0
MAF-16	16.0
MAF-18	18.0
MAF-20	20.0
MAF-22	22.0

MOUNTING HOLE  $\phi 3.5$   
THICKNESS 1.6mm

NOTE: 1. SHRINKING IS NORMAL STATUS.  
內縮為正常現象。  
2. MADE OF EQUIVALENT MATERIAL.  
均可使用同等材質。



康揚企業股份有限公司  
KANG YANG HARDWARE ENTERPRISE CO., LTD.  
康揚塑膠(東莞)有限公司  
KANG YANG PLASTIC(DONG GUAN)CO.,LTD.  
康哲電腦配件(吳江)有限公司  
KANG CHE COMPUTER COMPONENTS(WUJIANG)CO.,LTD.

PROPRIETARY AND CONFIDENTIAL THE INFORMATION CONTAINED IN THIS DRAWING IS THE SOLE PROPERTY OF KANG YANG HARDWARE ENTERPRISE CO. ANY REPRODUCTION IN PART OR AS A WHOLE WITHOUT THE WRITTEN PERMISSION OF KANG YANG HARDWARE ENTERPRISE CO. IS PROHIBITED.  DO NOT SCALE DRAWING	DATE	2007.01.22	TITLE	SPACER SUPPORT	DWG. NO.	MAF-HH	PART NO.	SEE ABOVE
	DRAWN	leeya	MATERIAL	NYLON 66 UL94V-2	SIZE	A4	SPEC. DWG	REV
	CHECKED	林祺翔	COLOR	NATURAL	FINISH			D
	APPROVED	Kang	UNLESS OTHERWISE SPECIFIED TOLERANCE:	SEE ABOVE	SCALE:	4:1	UNIT	mm