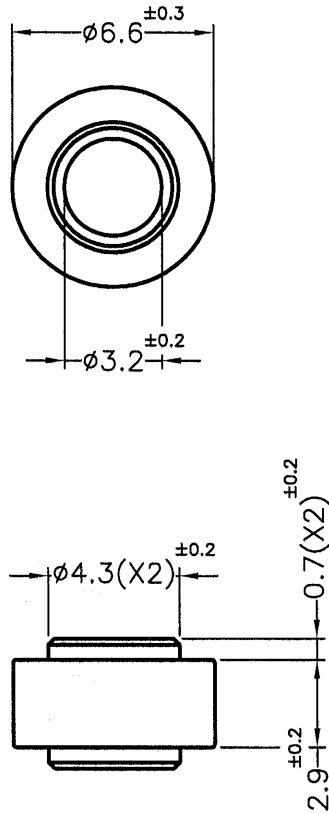





REVISIONS			
REV	DESCRIPTION	DATE	BY



NOTE:MADE OF EQUIVALENT MATERIAL.  
均可使用同等材質.

 康揚企業股份有限公司 KANG YANG HARDWARE ENTERPRISE CO., LTD. 康揚塑膠(東莞)有限公司 KANG YANG PLASTIC(DONG GUAN )CO.,LTD. ISO 9001 ISO 14001 QC 080000 康哲電腦配件(吳江)有限公司 KANG CHE COMPUTER COMPONENTS(WUJIANG) CO.,LTD.				TITLE	STANDOFF	SPEC. DWG.	
				MATERIAL	N6T UL94V-0+GF	DATE	2016.10.27
				FINISH		DRAWN	Y.C.P
				COLOR	BLACK	CHECK	
PART NUMBER	LUS-2.9N6T(B)	DRAWING NUMBER	LUS-2.9N6T	UNLESS OTHERWISE SPECIFIED TOLERANCE	SEE ABOVE	APPROVED	
SIZE	A4	SCALE	4:1	UNIT	mm	REV	A