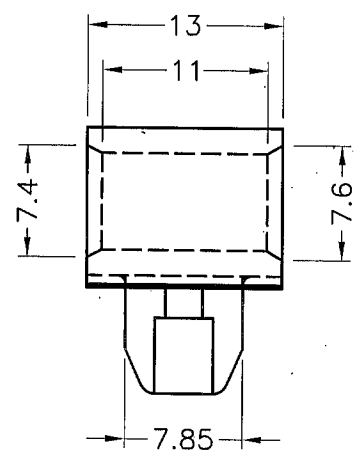
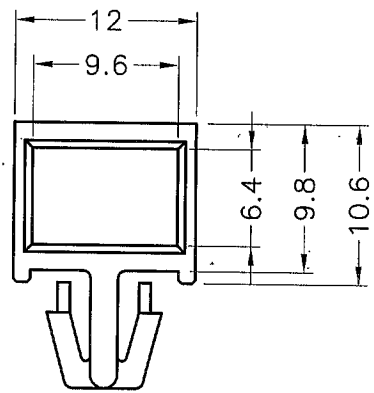
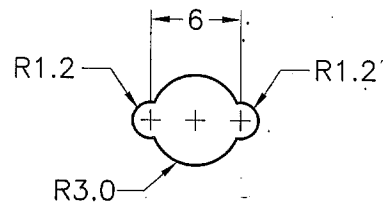


成型尺寸	公差
5mm 以下	±0.2
5~20mm	±0.3
20~40mm	±0.4
40~60mm	±0.5
60~100mm	±0.8
100mm 以上	±1.0

REVISIONS			
REV	DESCRIPTION	DATE	BY



PART NO.	P.C.B THICKNESS
LDD-10	1.6~1.8
LDD-10(2)	1.8~2.0



HOLE IN CHASSIS:

QMF22 February 13, 1996
Component - Plastics

E I DUPONT DE NEMOURS & CO INC.
DUPONT POLYMERS, ENGINEERING POLYMERS
NYLON RESINS PO BOX 80713, CHESTNUT RUN
PLAZA, WILMINGTON DE 19880

E41938 (M)
(A card)

Mil Deg	Col	Min Thk mm	UL94 Flame Class	Elec	RTI		H W I	H A I	H V R	D 4 9 5	C T I	
					with Imp	w/o Imp						
Polyamide, Type 66 nylon (PA66), designated "Zytel", furnished in the form of pellets.												
132F+, 133L+, 135F+	All	0.71	94V-2	125	85	85	4	0	—	—	—	
		1.5	94V-2	125	75	85	3	0	0	—	—	
		3.0	94V-2	125	75	85	2	0	0	6	0	
		6.0	94V-2	125	75	85	2	0	0	—	—	
→ 101(f2)+, 101F+, 101L+, E101L+, E101(f1)+	All	0.71	94V-2	125	85	85	4	0	—	—	—	
		1.5	94V-2	125	75	85	3	0	0	—	—	
		3.0	94V-2	125	75	85	2	0	0	6	0	
		6.0	94V-2	125	75	85	2	0	0	—	—	

Reports: August 30, 1988; December 2, 1992.

Replaces E41938A dated July 24, 1995.
324299147 H7047 Underwriters Laboratories Inc.®

(Cont. on A001 card)
DJ1/0005183

<p>康揚企業股份有限公司 KANG YANG HARDWARE ENTERPRISE CO., LTD. 東莞康揚塑膠五金電子廠 DONG GUAN KANG YANG PLASTIC HARDWARE COMPANY 康哲電腦配件(吳江)有限公司 KANG CHE COMPUTER COMPONENTS(WUJIANG) CO.,LTD.</p>	TITLE 隔離束線座		產品規格圖面	
	MATERIAL NYLON 66 UL94V-2		DATE 1999.11.21	
	FINISH		DRAWN JASON	
	COLOR NATURAL		CHECK	
PART NUMBER SEE ABOVE	DRAWING NUMBER LDD-10H		UNLESS OTHERWISE SPECIFIED TOLERANCE SEE ABOVE	
SIZE A4	SCALE 2:1	UNIT mm	REV A	APPROVED