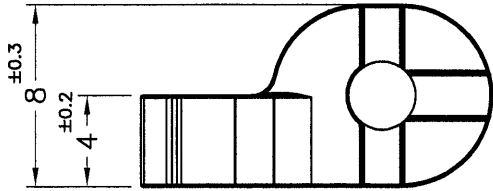
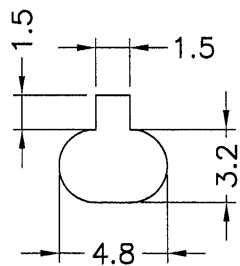
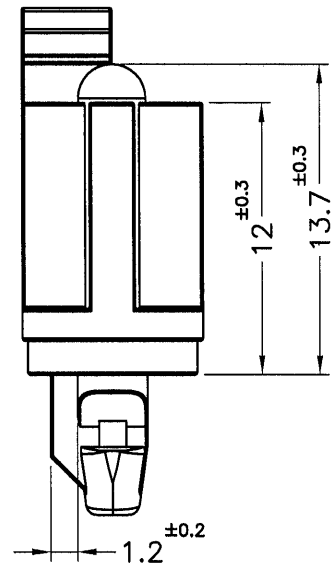
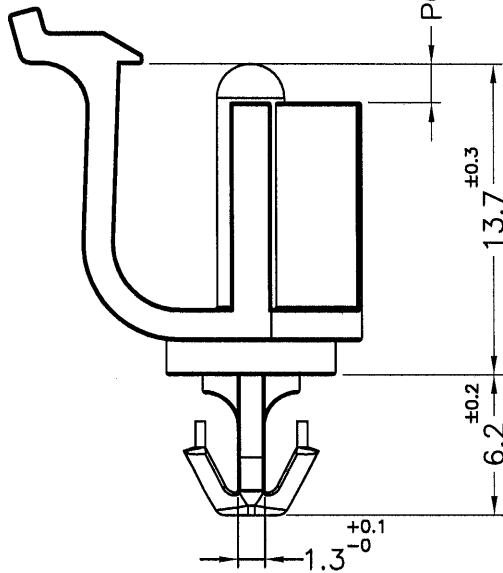


REVISIONS			
REV	DESCRIPTION	DATE	BY




PCB THICKNESS 1.6mm



MOUNTING HOLE
THICKNESS 2.9 mm

NOTE:MADE OF EQUIVALENT MATERIAL.
均可使用同等材質.

 <p>康揚企業股份有限公司 KANG YANG HARDWARE ENTERPRISE CO., LTD. 康揚塑膠(東莞)有限公司 KANG YANG PLASTIC(DONG GUAN)CO.,LTD. 康哲電腦配件(吳江)有限公司 KANG CHE COMPUTER COMPONENTS(WUJIANG) CO.,LTD.</p>				TITLE	SPACER SUPPORT	SPEC. DWG.	
				MATERIAL	NYLON 66 UL94V-2	DATE	2016.08.29
				FINISH		DRAWN	Summer
				COLOR	BLACK	CHECK	薛梅
PART NUMBER	LCUAC-7R(B)	DRAWING NUMBER	LCUAC-7R	UNLESS OTHERWISE SPECIFIED TOLERANCE	SEE ABOVE	APPROVED	Kang
SIZE	A4	SCALE	3:1	UNIT	mm	REV	A