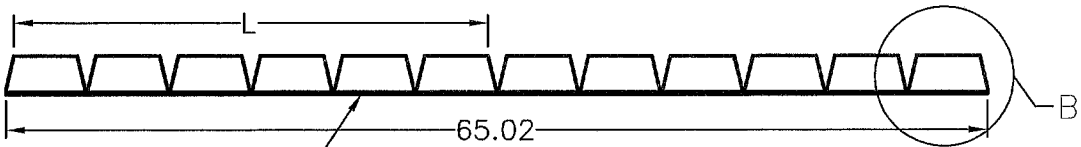
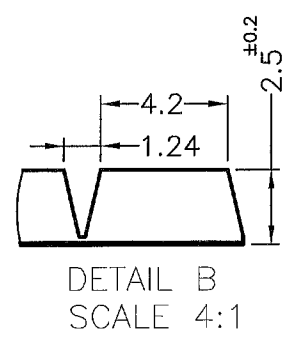
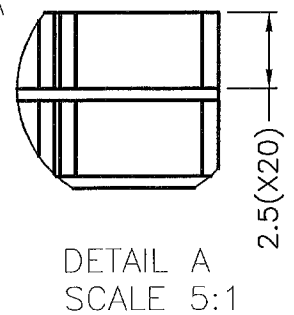
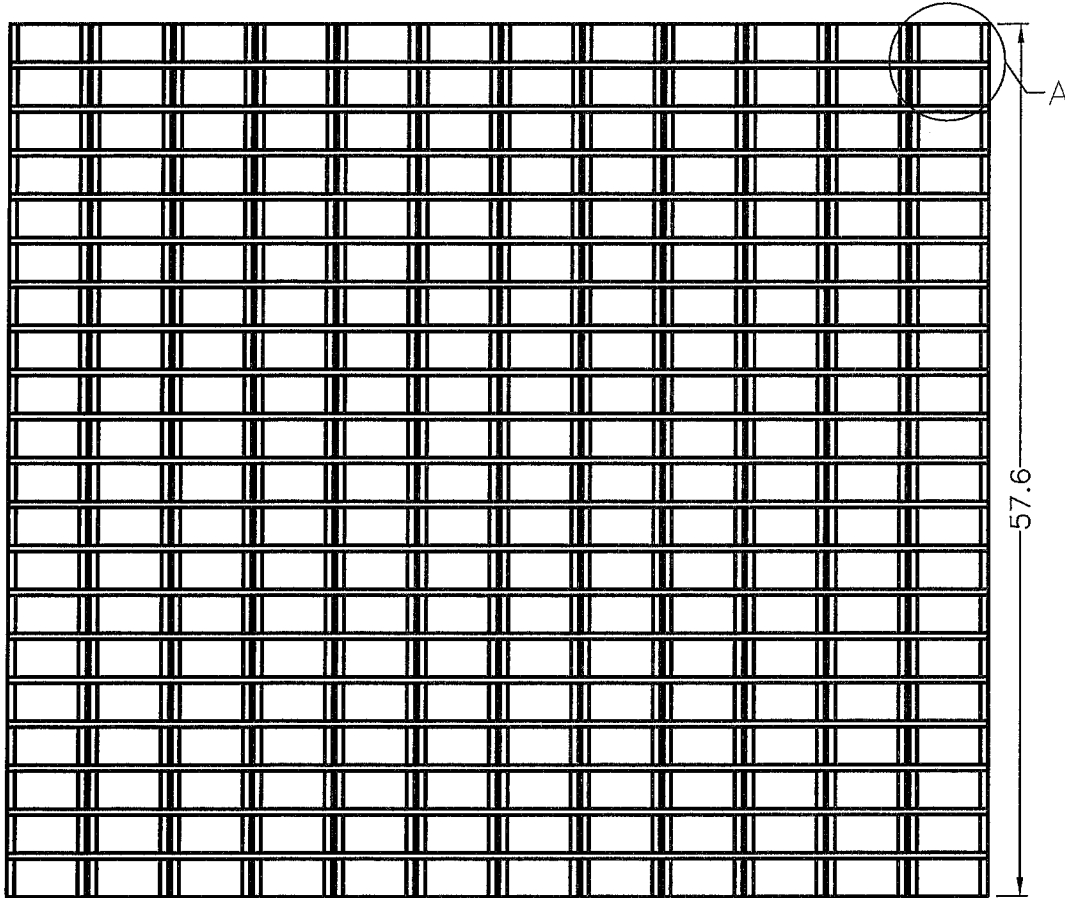


DIM.	TOL
X	±0.3
X.X	±0.2
X.XX	±0.1

REVISIONS			
REV	DESCRIPTION	DATE	BY

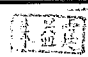
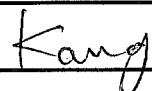


T4000
DOUBLE ADHESIVE TAPE

NOTE: The Height is not including the thickness of release paper

PART NO.	L
EM-18-1	4.2
EM-18-2	9.65
EM-18-3	15.1
EM-18-4	20.5
EM-18-5	25.95
EM-18-6	31.4


康揚企業股份有限公司
 KANG YANG HARDWARE ENTERPRISE CO., LTD.
康揚塑膠(東莞)有限公司
 KANG YANG PLASTIC(DONG GUAN) CO., LTD.
康哲電腦配件(吳江)有限公司
 KANG CHE COMPUTER COMPONENTS(WUJIANG) CO., LTD.

TITLE PAD		SPEC. DWG	
MATERIAL NYLON 66 UL94V-0 or EQUIVALENT		DATE 2008.12.12	
FINISH		DRAWN SAI	
COLOR BLACK		CHECK 	
UNLESS OTHERWISE SPECIFIED TOLERANCE SEE ABOVE		APPROVED 	

PART NUMBER SEE ABOVE		DRAWING NUMBER EM-18	
SIZE A4	SCALE 2:1	UNIT mm	REV B