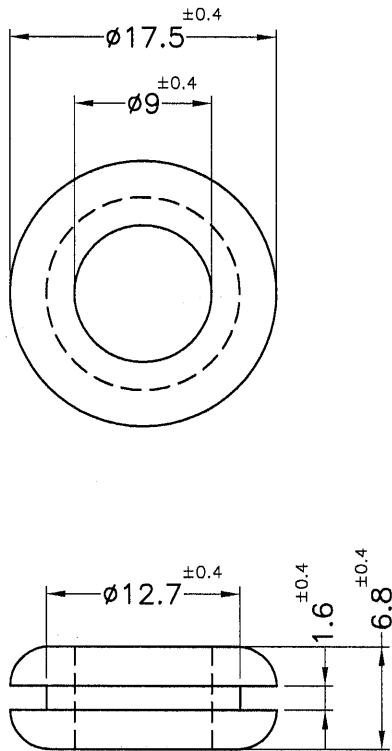

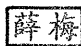


REVISIONS			
REV	DESCRIPTION	DATE	BY



MOUNTING HOLE ϕ 12.5mm

符合歐盟ROHS規範 (RoHS Compliant)	
★ 鉛Pb	<100PPM
★ 鎘Cd	< 100PPM
★ 汞Hg	<100PPM
★ 六價鉻Cr6+	<100PPM
★ 多溴聯苯類PBBs	<100PPM
★ 多溴聯苯醚類PBDEs	<100PPM
★ 有鹵料件 Halogen-containing Product	

 <p>康揚企業股份有限公司 KANG YANG HARDWARE ENTERPRISE CO., LTD. 康揚塑膠(東莞)有限公司 KANG YANG PLASTIC(DONG GUAN)CO.,LTD. 康哲電腦配件(吳江)有限公司 KANG CHE COMPUTER COMPONENTS(WUJIANG) CO.,LTD.</p>		TITLE	GROMMET	SPEC. DWG.	
		MATERIAL	RUBBER(NBR)	DATE	2009.02.02
		HARDNESS		DRAWN	Ken
		COLOR	BLACK	CHECK	
PART NUMBER	GM-61NBR	DRAWING NUMBER	GM-61	UNLESS OTHERWISE SPECIFIED TOLERANCE	± 0.4
SIZE	A4	SCALE	2:1	UNIT	mm
		REV	B	APPROVED	