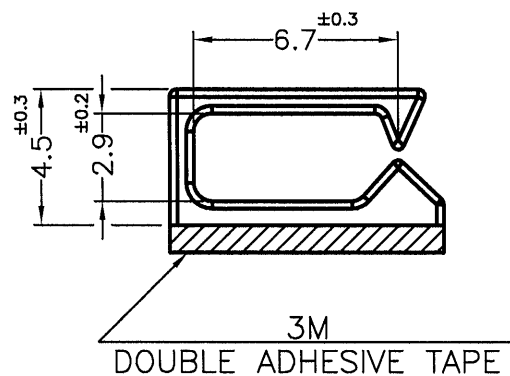
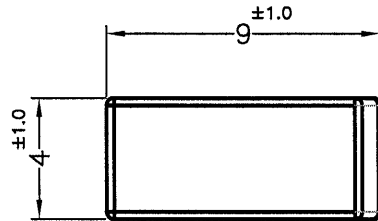


REVISIONS			
REV	DESCRIPTION	DATE	BY



(THICKNESS=0.9mm)

NOTE:1. THE PRODUCT SIZE IS NOT INCLUDED THE SIZES OF ADHESIVE TAPE AND ITS LINER.

產品尺寸皆不含背膠及離型紙。

2. IT IS HAND-CUT ADHESIVE TAPE, SO CAN NOT PERFECTLY STICK EVENLY. IT IS POSSIBLE TO HAVE SOME PORTION EXPOSED OR SHRINKING INWARD. THIS IS A NORMAL PHENOMENON.




此為手工背膠,貼附無法非常平整,會有外露或內縮屬正常現象。

3. SHRINKING IS NORMAL STATUS.

內縮為正常現象。

4. MADE OF EQUIVALENT MATERIAL.

均可使用同等材質。

 <p>康揚企業股份有限公司 KANG YANG HARDWARE ENTERPRISE CO., LTD. 康揚塑膠(東莞)有限公司 KANG YANG PLASTIC(DONG GUAN) CO., LTD. 康哲電腦配件(吳江)有限公司 KANG CHE COMPUTER COMPONENTS(WUJIANG) CO., LTD.</p>				TITLE	WIRE MOUNT	SPEC. DWG.	
				MATERIAL	NYLON 66 UL94V-2	DATE	2013.02.07
				FINISH		DRAWN	ALBERT
				COLOR	NATURAL	CHECK	
PART NUMBER	MWS-42(3M)	DRAWING NUMBER	MWS-42	UNLESS OTHERWISE SPECIFIED TOLERANCE	SEE ABOVE	APPROVED	
SIZE	A4	SCALE	4:1	UNIT	mm	REV	A