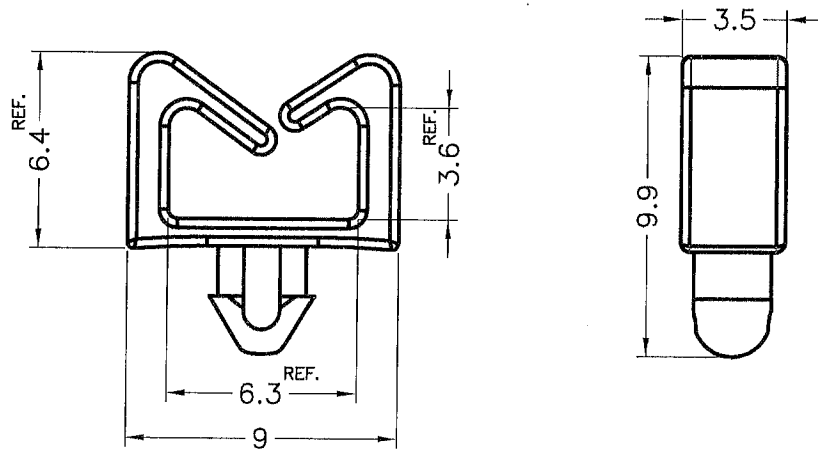


DIM	TOL
5mm DOWN	±0.2
5~20mm	±0.3
20~40mm	±0.4
40~60mm	±0.5
60~100mm	±0.8
100mm UP	±1.0


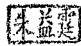
REVISIONS			
REV	DESCRIPTION	DATE	BY



HOLE IN CHASSIS $\phi 3.0$
CHASSIS THICKNESS 1.2~1.6

- NOTE: 1. Shrinking is normal status.
2. All measurement does not include gate which raises under 0.3mm.

PART NO.	MATERIAL	COLOR
MWS-1	NYLON 66 UL94V-2	NATURAL
MWS-1(B)	NYLON 66 UL94V-2	BLACK
MWS-1V0	NYLON 66 UL94V-0	NATURAL(WHITE)

 <p>康揚企業股份有限公司 KANG YANG HARDWARE ENTERPRISE CO., LTD. 康揚塑膠(東莞)有限公司 KANG YANG PLASTIC(DONG GUAN) CO., LTD. 康哲電腦配件(吳江)有限公司 KANG CHE COMPUTER COMPONENTS(WUJIANG) CO., LTD.</p>	TITLE		WIRE MOUNT		SPEC. DWG		
	MATERIAL		SEE ABOVE		DATE		1997.08.07
	FINISH				DRAWN		AMY
	COLOR		SEE ABOVE		CHECK		
PART NUMBER		DRAWING NUMBER		UNLESS OTHERWISE SPECIFIED TOLERANCE		APPROVED	
SEE ABOVE		MWS-1H		SEE ABOVE		Kang	
SIZE	SCALE	UNIT	REV	TOLERANCE			
A4	4:1	mm	B	SEE ABOVE			