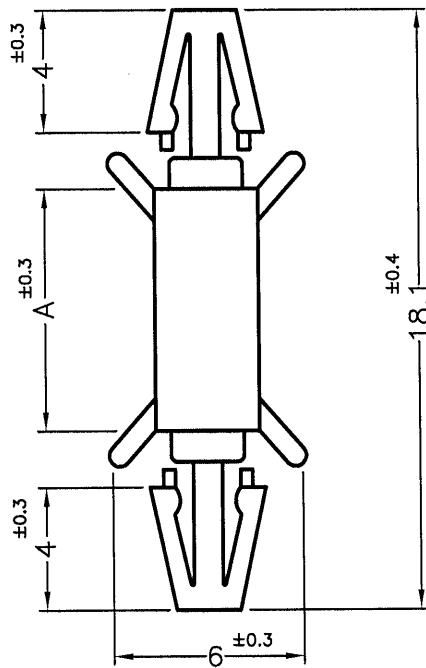



REVISIONS			
REV	DESCRIPTION	DATE	BY

HOLE IN P.C.B $\phi 3.0$
P.C.B THICKNESS 1.2~1.7



PART NO.	A
LCA-6	6.3

HOLE IN P.C.B $\phi 3.0$
P.C.B THICKNESS 1.2~1.7

 <p>康揚企業股份有限公司 KANG YANG HARDWARE ENTERPRISE CO., LTD. 康揚塑膠(東莞)有限公司 KANG YANG PLASTIC(DONG GUAN) CO., LTD. 康哲電腦配件(吳江)有限公司 KANG CHE COMPUTER COMPONENTS(WUJIANG) CO., LTD.</p>		TITLE	SPACER SUPPORT	SPEC. DWG.	
		MATERIAL	(DuPont 101F) NYLON 66 UL94V-2	DATE	1997.07.10
		FINISH		DRAWN	SHE
		COLOR	NATURAL	CHECK	<i>Will</i>
PART NUMBER	SEE ABOVE	DRAWING NUMBER	LCA-H	UNLESS OTHERWISE SPECIFIED TOLERANCE	SEE ABOVE
SIZE	A4	SCALE	NONE	UNIT	mm
		REV	A	APPROVED	<i>Kang</i>