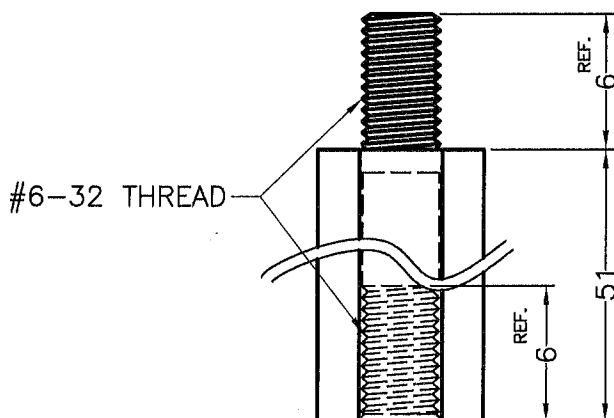
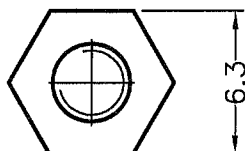

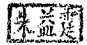



DIM.	TOL
5mm DOWN	±0.2
5~20mm	±0.3
20~40mm	±0.4
40~60mm	±0.5
60~100mm	±0.8
100mm UP	±1.0

REVISIONS			
REV	DESCRIPTION	DATE	BY



NOTE: All measurement does not include gate which raises under 0.3mm.

 <p>康揚企業股份有限公司 KANG YANG HARDWARE ENTERPRISE CO., LTD. 康揚塑膠(東莞)有限公司 KANG YANG PLASTIC(DONG GUAN) CO., LTD. 康哲電腦配件(吳江)有限公司 KANG CHE COMPUTER COMPONENTS(WUJIANG) CO., LTD.</p>		TITLE	THREADED SPACER	SPEC. DWG.	
		MATERIAL	NYLON 66 UL94V-2	DATE	2008.09.16
		HARDNESS		DRAWN	JIM
PART NUMBER	DRAWING NUMBER	COLOR	NATURAL	CHECK	
TP632-51	TP632-51	UNLESS OTHERWISE SPECIFIED TOLERANCE	SEE ABOVE	APPROVED	
SIZE	SCALE	UNIT	REV		
A4	3:1	mm	B		