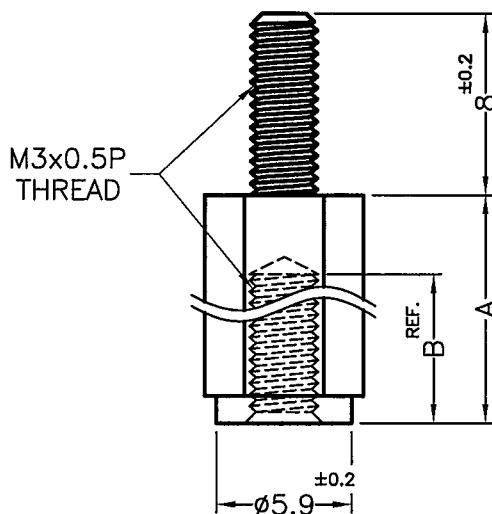


DIM.	TOL
L≤10	±0.2
10<L≤30	±0.3
30<L≤50	±0.5
50<L≤100	±0.7
100<L≤250	±1.2
ABOVE 250	±1.5



PART NO.	A	B
TP3-6L(B)	6.0	4.0
TP3-10L(B)	10.0	8.0
TP3-12L(B)	12.0	10.0
TP3-18L(B)	18.0	10.0

NOTE: 1. MADE OF EQUIVALENT MATERIAL.

均可使用同等材質。

2. THE COLOR BATCH TEST REPORT IS ONLY FOR TEST PURPOSE.

色母環保檢測報告, 僅提供原始測試報告。



康揚企業股份有限公司
KANG YANG HARDWARE ENTERPRISE CO., LTD.
康揚塑膠(東莞)有限公司
KANG YANG PLASTIC(DONG GUAN)CO., LTD.
康哲電腦配件(吳江)有限公司
KANG CHE COMPUTER COMPONENTS(WUJIANG)CO., LTD.

PROPRIETARY AND CONFIDENTIAL THE INFORMATION CONTAINED IN THIS DRAWING IS THE SOLE PROPERTY OF KANG YANG HARDWARE ENTERPRISE CO. ANY REPRODUCTION IN PART OR AS A WHOLE WITHOUT THE WRITTEN PERMISSION OF KANG YANG HARDWARE ENTERPRISE CO. IS PROHIBITED.	DATE	TITLE		DWG. NO.	PART NO.	
	2015.08.27	THREADED SPACER		TP3-HL	SEE ABOVE	
	DRAWN	MATERIAL				
	Y.C.P	NYLON 66 UL94V-2				
CHECKED	COLOR	FINISH	SIZE	SPEC. DWG	REV	C
林祺翔	BLACK		A4			
APPROVED	UNLESS OTHERWISE SPECIFIED TOLERANCE:		SCALE: 3:1	UNIT	SHEET 1 OF 1	
DO NOT SCALE DRAWING	SEE ABOVE			mm		