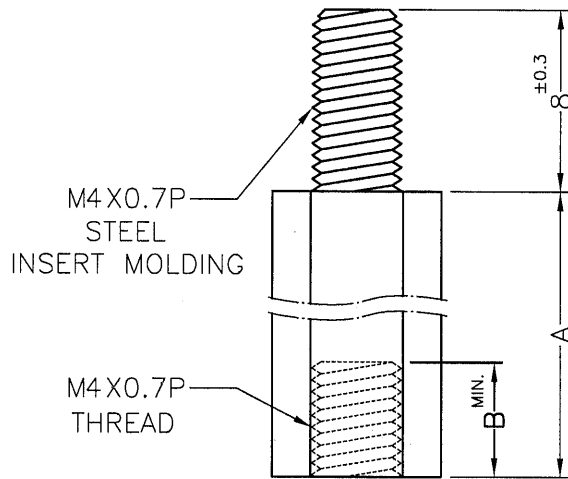
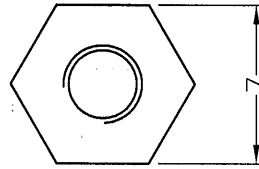


DIM.	TOL
L≤10	±0.2
10<L≤30	±0.3
30<L≤50	±0.5
50<L≤100	±0.7
100<L≤250	±1.2
ABOVE 250	±1.5


REVISIONS			
REV	DESCRIPTION	DATE	BY



PART NO.	A	B
MTPC4-20	20.0	10.0
MTPC4-57	57.0	10.0

符合歐盟ROHS規範 (RoHS Compliant)	
★鉛Pb	<1000PPM
★鎘Cd	< 100PPM
★汞Hg	<1000PPM
★六價鉻Cr6+	<1000PPM
★多溴聯苯類PBBS	<1000PPM
★多溴聯苯醚類PBDES	<1000PPM

NOTE:MADE OF EQUIVALENT MATERIAL.
均可使用同等材質

 康揚企業股份有限公司 KANG YANG HARDWARE ENTERPRISE CO., LTD. 康揚塑膠(東莞)有限公司 KANG YANG PLASTIC(DONG GUAN)CO.,LTD. <small>ISO 9001 ISO 14001 QC 080000</small> 康哲電腦配件(吳江)有限公司 KANG CHE COMPUTER COMPONENTS(WUJIANG) CO.,LTD.		TITLE	THREADED SPACER	SPEC. DWG.					
		MATERIAL	NYLON 66 UL94V-2	DATE	2013.11.01				
		SCREW MATERIAL	STEEL	SCREW FINISH	NI PLATED	DRAWN	C. S. L		
		COLOR	NATURAL	CHECK	Mamie				
PART NUMBER	SEE ABOVE	DRAWING NUMBER	MTPC4-H	UNLESS OTHERWISE SPECIFIED TOLERANCE	SEE ABOVE	APPROVED	Kang		
SIZE	A4	SCALE	3:1	UNIT	mm	REV	A		