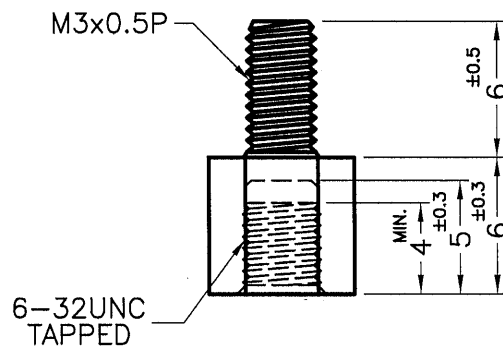
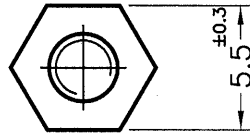

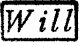



REVISIONS			
REV	DESCRIPTION	DATE	BY



NOTE: 1. INNER THREAD WAS DONE BY 2ND PROCESS TAPING.  
 SOME SLIGHT NYLON BURRS REMAINED INSIDE THE THREAD HOLE IS A NORMAL PHENOMENON.  
 此為二次攻牙, 且因為尼龍材質緣故, 所以穴孔有些許尼龍屑, 屬正常現象。  
 2. MADE OF EQUIVALENT MATERIAL.  
 均可使用同等材質。

 康揚企業股份有限公司 KANG YANG HARDWARE ENTERPRISE CO., LTD. 康揚塑膠(東莞)有限公司 KANG YANG PLASTIC(DONG GUAN) CO., LTD. 康哲電腦配件(吳江)有限公司 KANG CHE COMPUTER COMPONENTS(WUJIANG) CO., LTD.				TITLE	THREADED SPACER	SPEC. DWG.	
				MATERIAL	NYLON 66 UL94V-2	DATE	2007.05.08
				FINISH		DRAWN	JOHNNY
				COLOR	NATURAL	CHECK	
PART NUMBER	TPS632-6	DRAWING NUMBER	TPS632-H	UNLESS OTHERWISE SPECIFIED TOLERANCE	SEE ABOVE	APPROVED	
SIZE	A4	SCALE	3:1	UNIT	mm	REV	A