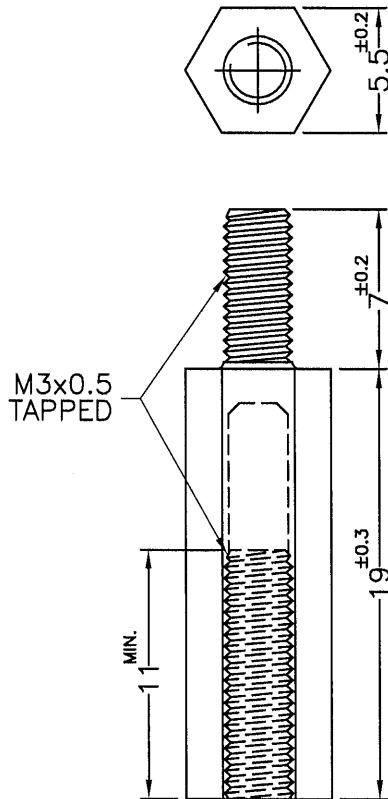




REVISIONS			
REV	DESCRIPTION	DATE	BY



NOTE:MADE OF EQUIVALENT MATERIAL.
均可使用同等材質。

 <p>康揚企業股份有限公司 KANG YANG HARDWARE ENTERPRISE CO., LTD. 康揚塑膠(東莞)有限公司 KANG YANG PLASTIC(DONG GUAN)CO.,LTD. 康哲電腦配件(吳江)有限公司 KANG CHE COMPUTER COMPONENTS(WUJIANG) CO.,LTD.</p>		TITLE	THREADED SPACER	SPEC. DWG.	
		MATERIAL	POM	DATE	2017.09.08
		FINISH		DRAWN	JOE
		COLOR	BLACK	CHECK	
PART NUMBER	DRAWING NUMBER	UNLESS OTHERWISE SPECIFIED TOLERANCE		APPROVED	
TPD-19(B)	TPD-H	SEE ABOVE		Kang	
SIZE	SCALE	UNIT	REV		
A4	3:1	mm	A		