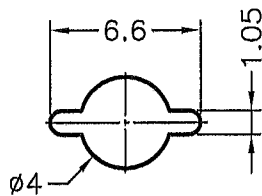
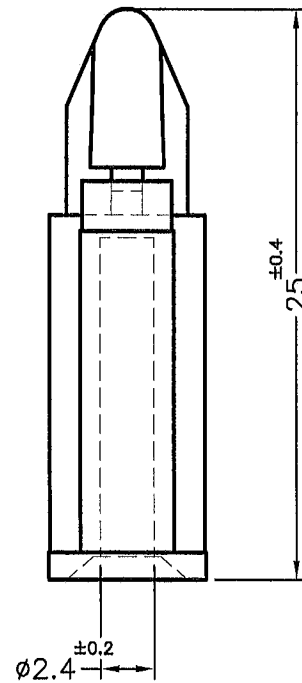
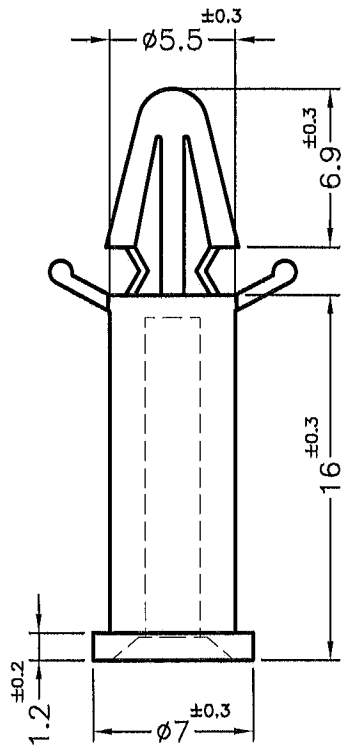

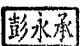


REVISIONS			
REV	DESCRIPTION	DATE	BY



HOLE IN PCB
PCB THICKNESS 1.2~1.7mm

NOTE:MADE OF EQUIVALENT MATERIAL.
均可使用同等材質。

 <p>康揚企業股份有限公司 KANG YANG HARDWARE ENTERPRISE CO., LTD. 康揚塑膠(東莞)有限公司 KANG YANG PLASTIC(DONG GUAN) CO.,LTD. 康哲電腦配件(吳江)有限公司 KANG CHE COMPUTER COMPONENTS(WUJIANG) CO.,LTD.</p>	TITLE SPACER SUPPORT		SPEC. DWG.	
	MATERIAL NYLON 66 UL94V-0		DATE 2015.03.19	
	FINISH		DRAWN T.C	
	COLOR NATURAL(WHITE)		CHECK 	
PART NUMBER TCBT-16V0	DRAWING NUMBER TCBT-16		UNLESS OTHERWISE SPECIFIED TOLERANCE SEE ABOVE	
SIZE A4	SCALE 3:1	UNIT mm	REV A	APPROVED 