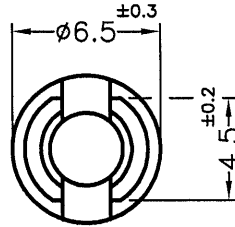
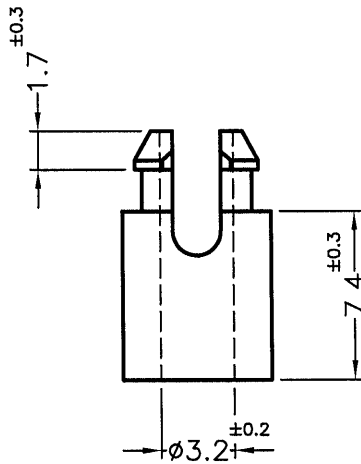


REVISIONS			
REV	DESCRIPTION	DATE	BY



MOUNTING HOLE $\phi 4.8$
THICKNESS 1.7mm



PART NO.	MATERIAL	COLOR
SS-7.4	NYLON 66 UL94V-2	NATURAL
SS-7.4V0	NYLON 66 UL94V-0	NATURAL(WHITE)

NOTE:MADE OF EQUIVALENT MATERIAL.
均可使用同等材質.

<p>康揚企業股份有限公司 KANG YANG HARDWARE ENTERPRISE CO., LTD. 康揚塑膠(東莞)有限公司 KANG YANG PLASTIC(DONG GUAN) CO., LTD. 康哲電腦配件(吳江)有限公司 KANG CHE COMPUTER COMPONENTS(WUJIANG) CO., LTD.</p>				TITLE	SPEC. DWG.
				MATERIAL	DATE
				FINISH	DRAWN
				COLOR	CHECK
PART NUMBER	DRAWING NUMBER	UNLESS OTHERWISE SPECIFIED TOLERANCE	APPROVED		
SEE ABOVE	SS-7.4	SEE ABOVE			
SIZE A4	SCALE 3:1	UNIT mm	REV B		