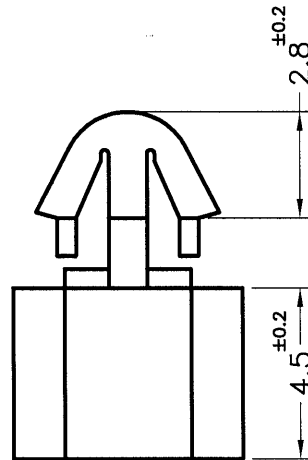
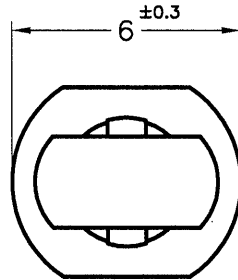



REVISIONS			
REV	DESCRIPTION	DATE	BY





P.C.B ϕ 3.5mm
THICKNESS 1.6mm

NOTE:MADE OF EQUIVALENT MATERIAL.
使用同等材質

 <p>康揚企業股份有限公司 KANG YANG HARDWARE ENTERPRISE CO., LTD. 康揚塑膠(東莞)有限公司 KANG YANG PLASTIC(DONG GUAN) CO., LTD. 康哲電腦配件(吳江)有限公司 KANG CHE COMPUTER COMPONENTS(WUJIANG) CO., LTD.</p>				TITLE	SPEC. DWG.
				MATERIAL	DATE
				FINISH	DRAWN
				COLOR	CHECK
PART NUMBER	DRAWING NUMBER	UNLESS OTHERWISE SPECIFIED TOLERANCE		APPROVED	
SIZE	SCALE	UNIT	REV		

SPACER SUPPORT	DATE
NYLON 66 UL94V-2	2002.11.19
NATURAL	DRAWN
SEE ABOVE	S.J.C.

DATE	2002.11.19
DRAWN	S.J.C.
CHECK	
APPROVED	

PART NUMBER	DRAWING NUMBER		
PDC-4.5D	PDC-4.5D		
SIZE	SCALE	UNIT	REV
A4	5:1	mm	A