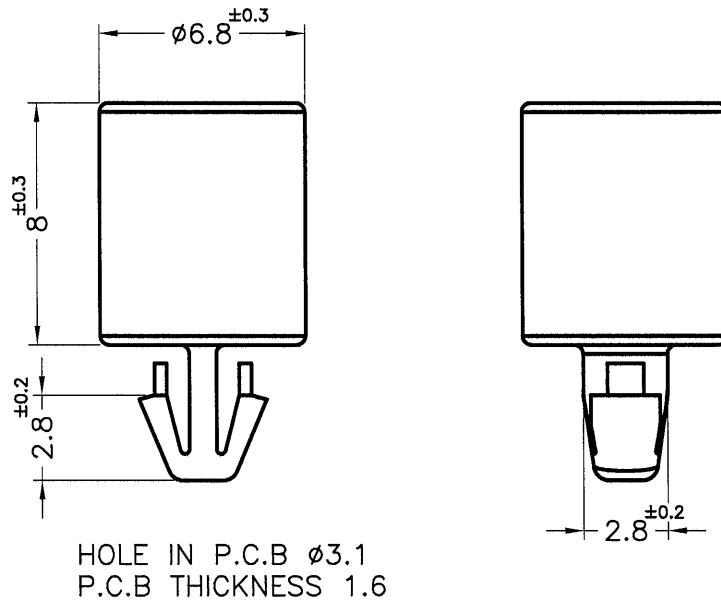


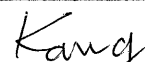


REVISIONS			
REV	DESCRIPTION	DATE	BY



NOTE: 1. MADE OF EQUIVALENT MATERIAL.
 均可使用同等材質。
 2. PILLAR MIGHT BE SHRUNK IS NORMAL STATUS
 圓柱表面會縮水屬正常現象。

 <p>康揚企業股份有限公司 KANG YANG HARDWARE ENTERPRISE CO., LTD. 康揚塑膠(東莞)有限公司 KANG YANG PLASTIC(DONG GUAN) CO., LTD. 康哲電腦配件(吳江)有限公司 KANG CHE COMPUTER COMPONENTS(WUJIANG) CO., LTD.</p>		TITLE	SPACER SUPPORT	SPEC. DWG.			
		MATERIAL	NYLON 66 UL94V-2	DATE	2018.08.22		
		HARDNESS		DRAWN	XIAO		
		COLOR	NATURAL	CHECK			
PART NUMBER	DCBA-8	DRAWING NUMBER	DCBA-8	UNLESS OTHERWISE SPECIFIED TOLERANCE	SEE ABOVE	APPROVED	
SIZE	A4	SCALE	4:1	UNIT	mm	REV	A