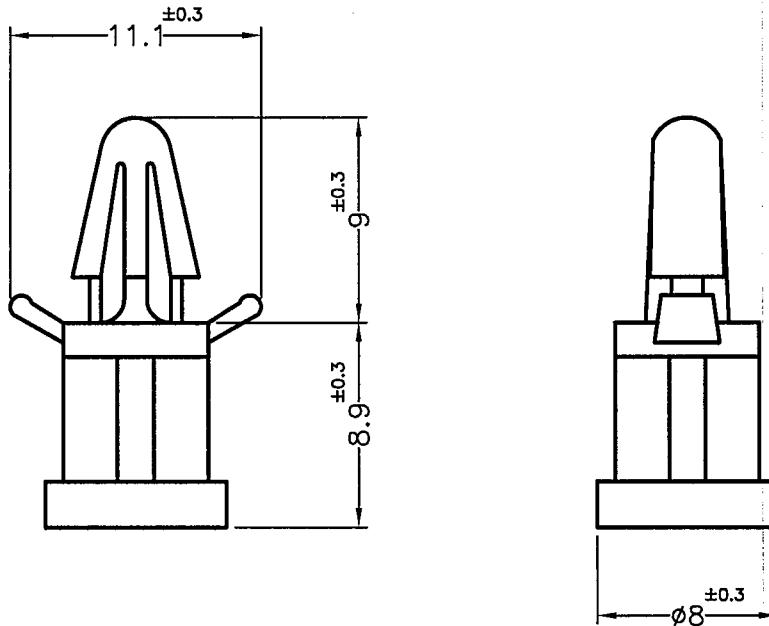


MOUNTING HOLE $\phi 4$
THICKNESS 1.8mm



PART NO.	MATERIAL	COLOR
MBS-8.9S	NYLON 66 UL94V-2	NATURAL
MBS-8.9SV0	NYLON 66 UL94V-0	NATURAL(WHITE)

NOTE: 1. SHRINKING IS NORMAL STATUS.
內縮為正常現象。
2. MADE OF EQUIVALENT MATERIAL.
均可使用同等材質。



康揚企業股份有限公司
KANG YANG HARDWARE ENTERPRISE CO., LTD.
康揚塑膠(東莞)有限公司
KANG YANG PLASTIC(DONG GUAN)CO.,LTD.
康哲電腦配件(吳江)有限公司
KANG CHE COMPUTER COMPONENTS(WUJIANG)CO.,LTD.

PROPRIETARY AND CONFIDENTIAL THE INFORMATION CONTAINED IN THIS DRAWING IS THE SOLE PROPERTY OF KANG YANG HARDWARE ENTERPRISE CO. ANY REPRODUCTION IN PART OR AS A WHOLE WITHOUT THE WRITTEN PERMISSION OF KANG YANG HARDWARE ENTERPRISE CO. IS PROHIBITED.	DATE	TITLE	DWG. NO.	PART NO.	
	2010.07.28	SPACER SUPPORT	MBS-8.9S	SEE ABOVE	
	DRAWN	MATERIAL			
	ROBERT	SEE ABOVE			
CHECKED	COLOR	FINISH	SIZE	SPEC. DWG	REV
<i>Robert</i>	SEE ABOVE		A4		B
APPROVED	UNLESS OTHERWISE SPECIFIED TOLERANCE: SEE ABOVE		SCALE: 3:1	UNIT	SHEET 1 OF 1
DO NOT SCALE DRAWING			mm		