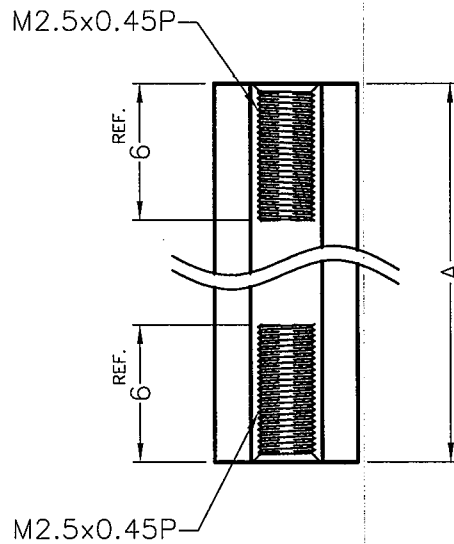
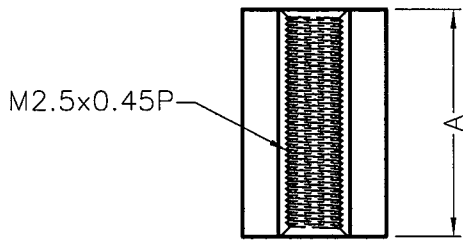
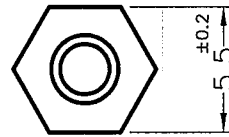


DIM.	TOL
L≤10	±0.2
10<L≤30	±0.3
30<L≤50	±0.5
50<L≤100	±0.7
100<L≤250	±1.2
ABOVE 250	±1.5

REVISIONS			
REV	DESCRIPTION	DATE	BY



PART NO.	A
HP2.5-8	8
HP2.5-10	10

PART NO.	A
HP2.5-31	31

NOTE: 1. SHRINKING IS NORMAL STATUS.


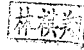
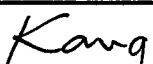
內縮為正常現象.

2. MADE OF EQUIVALENT MATERIAL.

均可使用同等材質.

3. SOME SLIGHT NYLON BURRS REMAINED INSIDE THE THREAD HOLE IS A NORMAL PHENOMENON.

螺牙孔內有些許輕微毛邊屬正常現象

 <p>康揚企業股份有限公司 KANG YANG HARDWARE ENTERPRISE CO., LTD. 康揚塑膠(東莞)有限公司 KANG YANG PLASTIC(DONG GUAN) CO., LTD. 康哲電腦配件(吳江)有限公司 KANG CHEE COMPUTER COMPONENTS(WUJIANG) CO., LTD.</p>				TITLE	THREADED SPACER	SPEC. DWG.	
				MATERIAL	NYLON 66 UL94V-2	DATE	2015.03.27
				HARDNESS		DRAWN	Y.C.P
				COLOR	NATURAL	CHECK	
PART NUMBER	SEE ABOVE	DRAWING NUMBER	HP2.5-H	UNLESS OTHERWISE SPECIFIED TOLERANCE	SEE ABOVE	APPROVED	
SIZE	A4	SCALE	4:1	UNIT	mm	REV	C