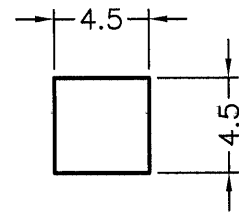
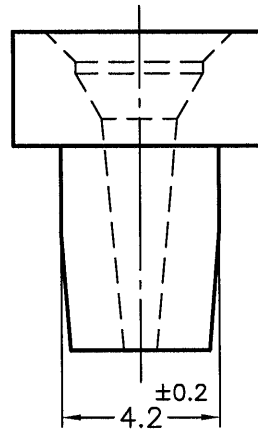
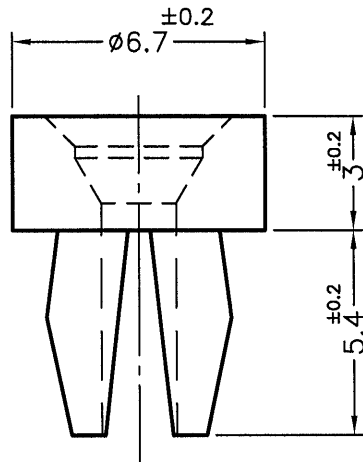

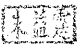



| REVISIONS | | | |
|-----------|-------------|------|----|
| REV | DESCRIPTION | DATE | BY |
| | | | |
| | | | |



MOUNTING HOLE

NOTE:MADE OF EQUIVALENT MATERIAL.
均可使用同等材質.

| | | | |
|--|---|----------------------------------|---|
|  康揚企業股份有限公司 KANG YANG HARDWARE ENTERPRISE CO., LTD. 康揚塑膠(東莞)有限公司 KANG YANG PLASTIC(DONG GUAN) CO.,LTD. 康哲電腦配件(吳江)有限公司 KANG CHE COMPUTER COMPONENTS(WUJIANG) CO.,LTD. | | TITLE PLASTIC CONICAL ANCHORS | SPEC. DWG. |
| | | MATERIAL NYLON 66 UL94V-2 | DATE 2004.04.16 |
| PART NUMBER ETS-3-1 | | DRAWING NUMBER ETS-3-1 | DRAWN TIM |
| SIZE A4 | SCALE 5:1 | UNIT mm | CHECK  |
| REV A | UNLESS OTHERWISE SPECIFIED TOLERANCE SEE ABOVE | | APPROVED  |