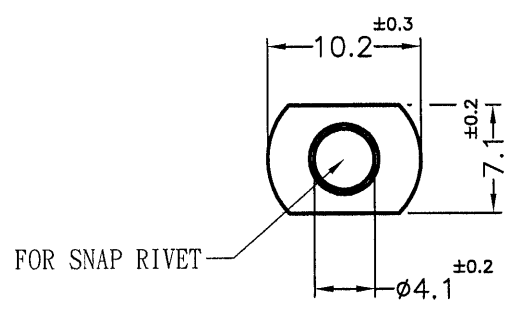
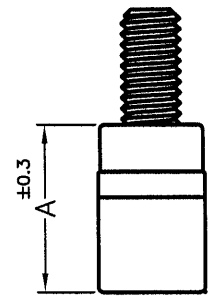
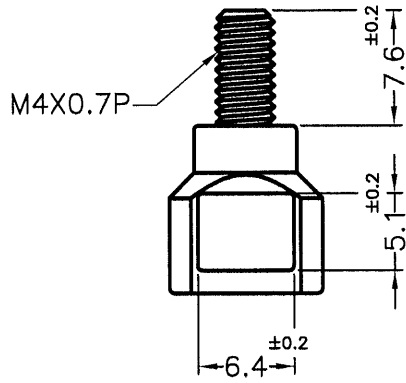


REVISIONS			
REV	DESCRIPTION	DATE	BY



PART NO.	A
TCEB4-9.5	9.5
TCEB4-11.1	11.1

NOTE: MADE OF EQUIVALENT MATERIAL.
均可使用同等材質.

				TITLE	SPACER SUPPORT	SPEC. DWG.	
				MATERIAL	NYLON 66 UL94V-2	DATE	2016.09.23
				FINISH		DRAWN	Y.C.P
				COLOR	NATURAL	CHECK	
PART NUMBER	SEE ABOVE	DRAWING NUMBER	TCEB4-H	UNLESS OTHERWISE SPECIFIED TOLERANCE	SEE ABOVE	APPROVED	
SIZE	A4	SCALE	2:1	UNIT	mm	REV	A