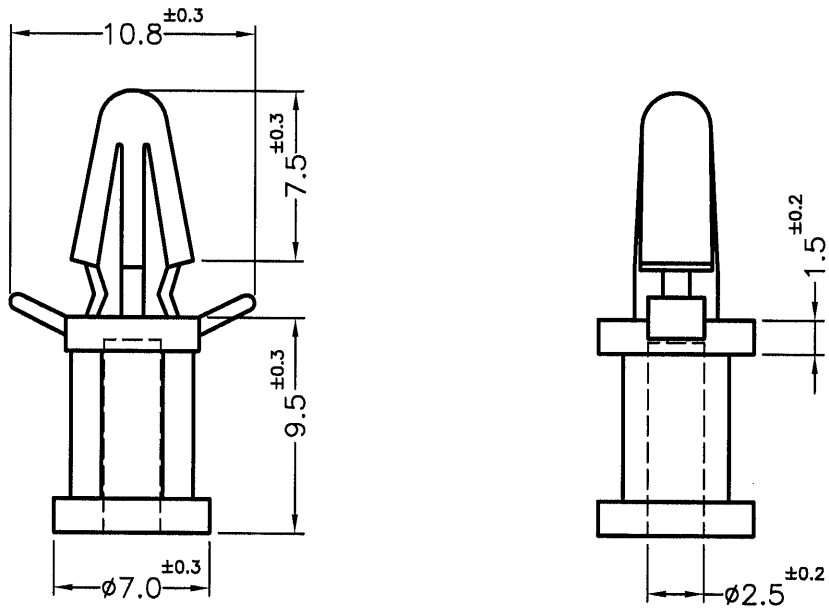


REVISIONS			
REV	DESCRIPTION	DATE	BY


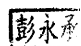
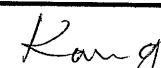
HOLE IN P.C.B $\phi 4.0\text{mm}$
P.C.B THICKNESS 1.6mm



FOR M3 SELF TAPPED SCREW

PART NO.	MATERIAL	COLOR
TCBS-9.5	NYLON 66 UL94V-2	NATURAL
TCBS-9.5V0	NYLON 66 UL94V-0	NATURAL(WHITE)
TCBS-9.5V0B		BLACK

NOTE:MADE OF EQUIVALENT MATERIAL.
均可使用同等材質.

 康揚企業股份有限公司 KANG YANG HARDWARE ENTERPRISE CO., LTD. 康揚塑膠(東莞)有限公司 KANG YANG PLASTIC(DONG GUAN) CO., LTD. 康哲電腦配件(吳江)有限公司 KANG CHE COMPUTER COMPONENTS(WUJIANG) CO., LTD.				TITLE	SPEC. DWG.
				SPACER SUPPORT	
PART NUMBER		DRAWING NUMBER	MATERIAL	DATE	
SEE ABOVE		TCBS-9.5	SEE ABOVE	2012.11.06	
SIZE		SCALE	FINISH	DRAWN	
A4		3:1		ALBERT	
UNIT	REV	COLOR	CHECK	APPROVED	
mm	A	SEE ABOVE			
UNLESS OTHERWISE SPECIFIED TOLERANCE			SEE ABOVE		