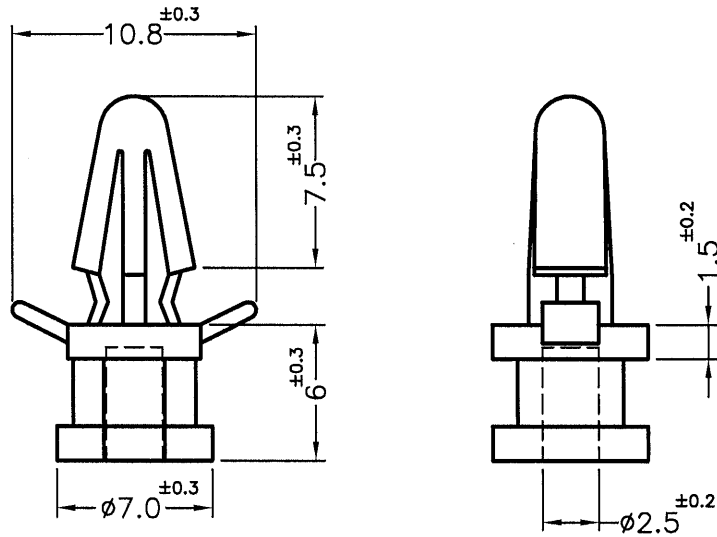


| REVISIONS | | | |
|-----------|-------------|------|----|
| REV | DESCRIPTION | DATE | BY |
| | | | |
| | | | |


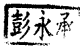
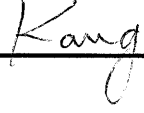
HOLE IN P.C.B $\phi 4.0\text{mm}$
P.C.B THICKNESS 1.6mm



FOR M3 SELF TAPPED SCREW

NOTE:MADE OF EQUIVALENT MATERIAL.

使用同等材質

| | | | | | | | |
|--|---------|----------------|---------|--------------------------------------|------------------|------------|---|
|  <p>康揚企業股份有限公司 KANG YANG HARDWARE ENTERPRISE CO., LTD. 康揚塑膠(東莞)有限公司 KANG YANG PLASTIC(DONG GUAN) CO., LTD. 康哲電腦配件(吳江)有限公司 KANG CHE COMPUTER COMPONENTS(WUJIANG) CO., LTD.</p> | | | | TITLE | SPACER SUPPORT | SPEC. DWG. | |
| | | | | MATERIAL | NYLON 66 UL94V-2 | DATE | 2012.11.06 |
| | | | | FINISH | | DRAWN | ALBERT |
| | | | | COLOR | NATURAL | CHECK |  |
| PART NUMBER | TCBS-6A | DRAWING NUMBER | TCBS-6A | UNLESS OTHERWISE SPECIFIED TOLERANCE | SEE ABOVE | APPROVED |  |
| SIZE | A4 | SCALE | 3:1 | UNIT | mm | REV | A |