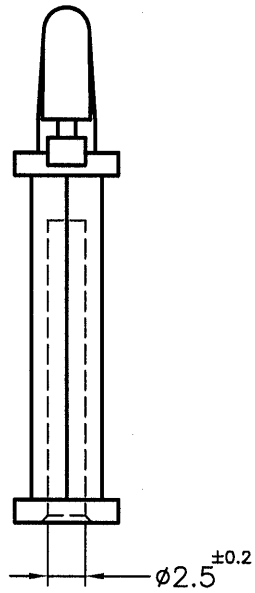
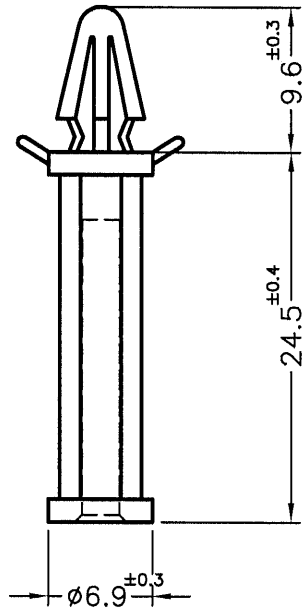





REVISIONS			
REV	DESCRIPTION	DATE	BY

HOLE IN P.C.B $\phi 4.0$
P.C.B THICKNESS 1.6



FOR M3 SCREW

NOTE: MADE OF EQUIVALENT MATERIAL.
均可使用同等材質。

 <p>康揚企業股份有限公司 KANG YANG HARDWARE ENTERPRISE CO., LTD. 康揚塑膠(東莞)有限公司 KANG YANG PLASTIC(DONG GUAN) CO., LTD. 康哲電腦配件(吳江)有限公司 KANG CHE COMPUTER COMPONENTS(WUJIANG) CO., LTD.</p>				TITLE	SPACER SUPPORT	SPEC. DWG	
				MATERIAL	NYLON 66 UL94V-2	DATE	2009.05.20
				FINISH		DRAWN	Eric
				COLOR	NATURAL	CHECK	
PART NUMBER	TCBS-24.5	DRAWING NUMBER	TCBS-24.5	UNLESS OTHERWISE SPECIFIED TOLERANCE	SEE ABOVE	APPROVED	
SIZE	A4	SCALE	2:1	UNIT	mm	REV	A