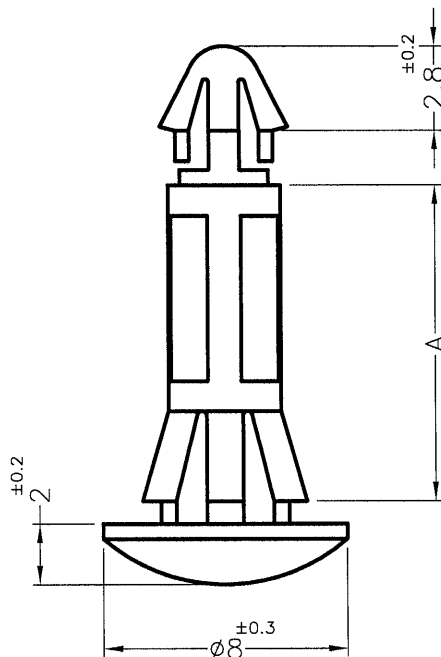


DIM	TOL
5mm DOWN	±0.2
5~20mm	±0.3
20~40mm	±0.4
40~60mm	±0.5
60~100mm	±0.8
100mm UP	±1.0

REVISIONS			
REV	DESCRIPTION	DATE	BY


HOLE IN P.C.B: $\phi 3.0\text{mm}$
THICKNESS: 1.6mm



HOLE IN CHASSIS: $\phi 4.0\text{mm}$
THICKNESS: 0.8~1.6mm

PART NO.	A
RCA-15.5V0(B)	15.5
RCA-16V0(B)	16.0

- NOTE: 1. SHRINKING IS NORMAL STATUS.
內縮為正常現象.
2. MADE OF EQUIVALENT MATERIAL.
均可使用同等材質.

 康揚企業股份有限公司 KANG YANG HARDWARE ENTERPRISE CO., LTD. 康揚塑膠(東莞)有限公司 KANG YANG PLASTIC(DONG GUAN) CO., LTD. ISO 9001 ISO 14001 QC 080000 康哲電腦配件(吳江)有限公司 KANG CHE COMPUTER COMPONENTS(WUJIANG) CO., LTD.				TITLE	SPEC. DWG.
				SPACER SUPPORT	
PART NUMBER		DRAWING NUMBER	MATERIAL	DATE	
SEE ABOVE		RCA-HV0(B)	NYLON 66 UL94V-0	1999.02.11	
SIZE		SCALE	FINISH	DRAWN	
A4	NONE	mm		AMY	
UNIT	REV	COLOR	CHECK		
mm	B	BLACK	Wild		
UNLESS OTHERWISE SPECIFIED TOLERANCE			APPROVED		
SEE ABOVE			Kang		