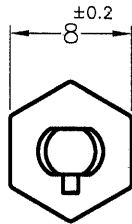
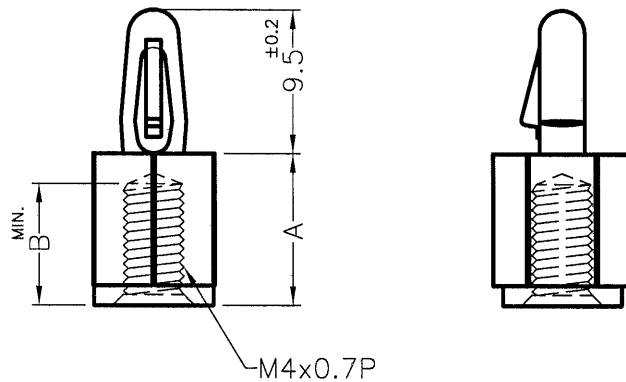


DIM.	TOL
L ≤ 10	±0.2
10 < L ≤ 30	±0.3
30 < L ≤ 50	±0.5
50 < L ≤ 100	±0.7
100 < L ≤ 250	±1.2
ABOVE 250	±1.5

REVISIONS			
REV	DESCRIPTION	DATE	BY




HOLE IN P.C.B:  $\phi 4.0\text{mm}$   
P.C.B THICKNESS: 1.6mm



PART NO.	A	B	COLOR
BSCB4-8(B)	8.0	6.0	BLACK
BSCB4-8(W)			WHITE
BSCB4-10B	10.0	8.0	BLACK

NOTE:MADE OF EQUIVALENT MATERIAL.  
均可使用同等材質.

 康揚企業股份有限公司 KANG YANG HARDWARE ENTERPRISE CO., LTD. 康揚塑膠(東莞)有限公司 KANG YANG PLASTIC(DONG GUAN )CO.,LTD. ISO 9001 ISO 14001 QC 080000 康哲電腦配件(吳江)有限公司 KANG CHE COMPUTER COMPONENTS(WUJIANG) CO.,LTD.				TITLE	SPEC. DWG.	
				SPACER SUPPORT	MATERIAL	DATE
PART NUMBER		DRAWING NUMBER	FINISH	DRAWN	T.C	
SEE ABOVE		BSCB4-H	COLOR	CHECK		
SIZE	SCALE	UNIT	REV	UNLESS OTHERWISE SPECIFIED TOLERANCE	APPROVED	
A4	2:1	mm	B	SEE ABOVE	