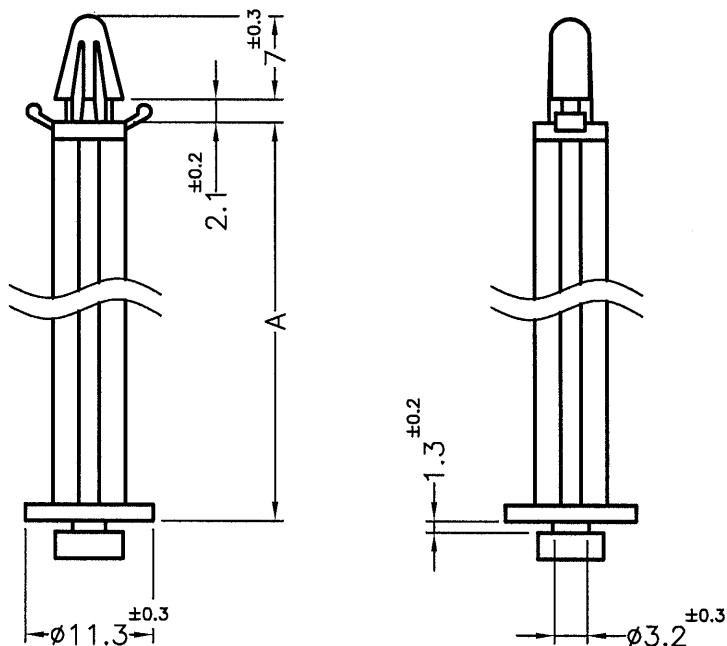


DIM.	TOL
5mm DOWN	±0.2
5~20mm	±0.3
20~40mm	±0.4
40~60mm	±0.5
60~100mm	±0.8
100mm UP	±1.0

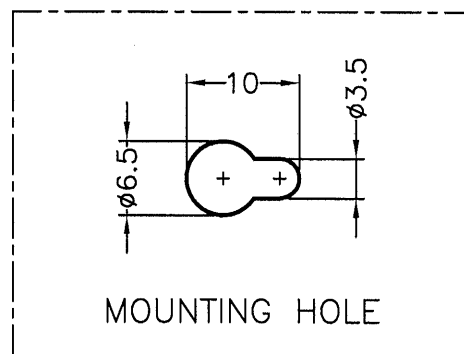
REVISIONS			
REV	DESCRIPTION	DATE	BY


MOUNTING HOLE $\phi 4$
THICKNESS 1.2~1.6mm



PART NO.	A
ACB-68	68.0
ACB-74	74.0

NOTE: 1. SHRINKING IS NORMAL STATUS.
內縮為正常現象。
2. MADE OF EQUIVALENT MATERIAL.
均可使用同等材質。



 <p>康揚企業股份有限公司 KANG YANG HARDWARE ENTERPRISE CO., LTD. 康揚塑膠(東莞)有限公司 KANG YANG PLASTIC(DONG GUAN) CO., LTD. 康哲電腦配件(吳江)有限公司 KANG CHE COMPUTER COMPONENTS(WUJIANG) CO., LTD.</p>		TITLE	SPACER SUPPORT	SPEC. DWG.	
		MATERIAL	NYLON 66 UL94V-2	DATE	2000.04.08
		FINISH		DRAWN	AMY
		COLOR	NATURAL	CHECK	Will
PART NUMBER	SEE ABOVE	DRAWING NUMBER	ACB-68H	UNLESS OTHERWISE SPECIFIED TOLERANCE	SEE ABOVE
SIZE	A4	SCALE	2:1	UNIT	mm
REV	A	APPROVED	Kang		