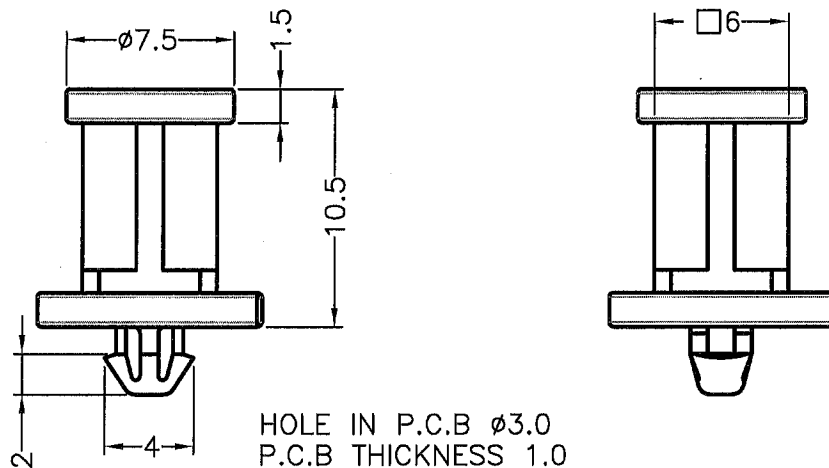


DIM.	TOL.
L≤10	±0.2
10<L≤30	±0.3
30<L≤50	±0.5
50<L≤100	±0.7
100<L≤250	±1.2
ABOVE 250	±1.5

REVISIONS			
REV	DESCRIPTION	DATE	BY



NOTE: All measurement does not include gate which raises under 0.3mm.

Component - Plastics

E44716

RHODIA ENGINEERING PLASTICS

QUARTIER BELLE-ETOILE, AVE RAMBOZ, BOITE POSTALE 64, ST FONS CEDEX 69102 FR

B 50H1(r1)

Polyamide 66/6 (PA66/6), unfilled, "Technyl", furnished as pellets

	Min Thk (mm)	Flame Class	HWI	HAI	RTI Elec	RTI Imp	RTI Str
Color ALL	0.38	V-0	4	0	120	-	-
	0.75	V-0	4	0	120	90	95
BK	1.0	V-0, 5VB	4	0	120	90	95
	1.5	V-0	4	0	120	90	95
	3.0	V-0	3	0	120	90	95

Comparative Tracking Index (CTI): 0

Inclined Plane Tracking (IPT): -

Dielectric Strength (kV/mm): -

Volume Resistivity (10⁹ ohm-cm): -

High-Voltage Arc Tracking Rate (HVTR): 0

High Volt. Low Current Arc Resis (D495): 6

Dimensional Stability (%): -

(r1) - Virgin and regrind up to 50% by weight incl. have the same basic material characteristics, except for the 5VB rating.

NOTE - Materials designated "Technyl" may be prefixed by the letters "TY".

ANSI/UL 94 small-scale test data does not pertain to building materials, furnishings and related contents. ANSI/UL 94 small-scale test data is intended solely for determining the flammability of plastic materials used in the components and parts of end-product devices and appliances, where the acceptability of the combination is determined by UL.

Report Date: 1993-10-21

Last Revised: 2013-02-13

© 2013 UL LLC



NYLON 66 UL94V-0 or EQUIVALENT

<p>康揚企業股份有限公司 KANG YANG HARDWARE ENTERPRISE CO., LTD. 康揚塑膠(東莞)有限公司 KANG YANG PLASTIC(DONG GUAN) CO., LTD. 康哲電腦配件(吳江)有限公司 KANG CHEE COMPUTER COMPONENTS(WUJIANG) CO., LTD.</p>	TITLE SPACER SUPPORT		SPEC. DWG.	
	MATERIAL NYLON 66 UL94V-0		DATE 2013.12.12	
	FINISH		DRAWN ALBERT	
	COLOR BLACK		CHECK 	
PART NUMBER TCBA-10.5SV0B	DRAWING NUMBER TCBA-10.5SV0		UNLESS OTHERWISE SPECIFIED TOLERANCE SEE ABOVE	
SIZE A4	SCALE 3:1	UNIT mm	REV A	APPROVED