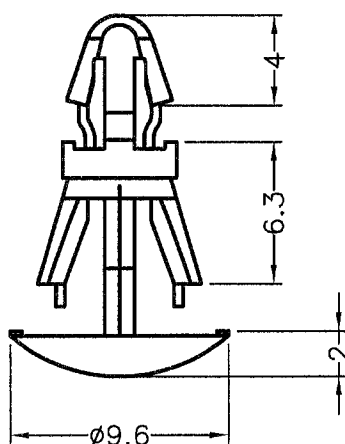


DTM.	TOL
5mm DOWN	±0.2
5~20mm	±0.3
20~40mm	±0.4
40~60mm	±0.5
60~100mm	±0.8
100mm UP	±1.0

REVISIONS			
REV	DESCRIPTION	DATE	BY



HOLE IN P.C.B Ø4.0  
P.C.B THICKNESS 1.2~1.7



HOLE IN CHASSIS Ø5.4  
CHASSIS THICKNESS 2.0

NOTE: All measurement does not include gate which raises under 0.3mm.

PART NO.	MATERIAL	COLOR
RCTL-6	NYLON 66 UL94V-2	NATURAL
RCTL-6V0	NYLON 66 UL94V-0	NATURAL(WHITE)

 <p>康揚企業股份有限公司 KANG YANG HARDWARE ENTERPRISE CO., LTD. 康揚塑膠(東莞)有限公司 KANG YANG PLASTIC(DONG GUAN) CO., LTD. 康哲電腦配件(吳江)有限公司 KANG CHE COMPUTER COMPONENTS(WUJIANG) CO., LTD.</p>				TITLE	SPEC. DWG.
				MATERIAL	DATE
				HARDNESS	DRAWN
				COLOR	CHECK
PART NUMBER	DRAWING NUMBER	UNLESS OTHERWISE SPECIFIED TOLERANCE		APPROVED	
SEE ABOVE	RCTL-6	SEE ABOVE			
SIZE	SCALE	UNIT	REV		
A4	3:1	mm	B		