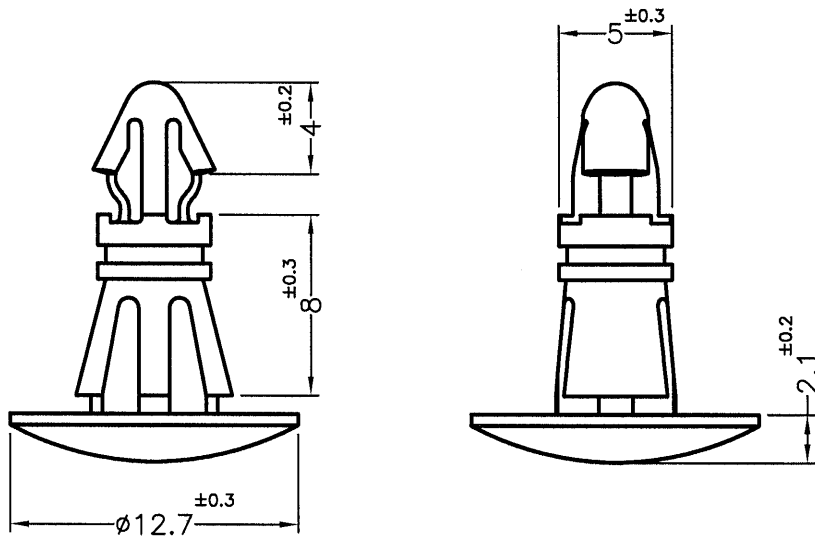


HOLE IN P.C.B  $\phi 4.0\text{mm}$   
P.C.B THICKNESS 1.6mm



HOLE IN P.C.B  $\phi 5.4\text{mm}$   
P.C.B THICKNESS 0.8~1.6mm

NOTE:MADE OF EQUIVALENT MATERIAL.  
均可使用同等材質.



康揚企業股份有限公司  
KANG YANG HARDWARE ENTERPRISE CO., LTD.  
康揚塑膠(東莞)有限公司  
KANG YANG PLASTIC(DONG GUAN)CO.,LTD.  
康哲電腦配件(吳江)有限公司  
KANG CHE COMPUTER COMPONENTS(WUJIANG)CO.,LTD.

PROPRIETARY AND CONFIDENTIAL THE INFORMATION CONTAINED IN THIS DRAWING IS THE SOLE PROPERTY OF KANG YANG HARDWARE ENTERPRISE CO. ANY REPRODUCTION IN PART OR AS A WHOLE WITHOUT THE WRITTEN PERMISSION OF KANG YANG HARDWARE ENTERPRISE CO. IS PROHIBITED.	DATE	2009.01.13	TITLE	SPACER SUPPORT		DWG. NO.	PART NO.	
	DRAWN	SAI	MATERIAL	NYLON 66 UL94V-2		RCJ-8		RCJ-8
	CHECKED	<i>Will</i>	COLOR	NATURAL	FINISH	SIZE	SPEC. DWG	REV
	APPROVED	<i>Kang</i>	UNLESS OTHERWISE SPECIFIED TOLERANCE: SEE ABOVE		A4	B		
DO NOT SCALE DRAWING					SCALE: 3:1	UNIT	mm	SHEET 1 OF 1